

## ADG231 Process 4-20mA Signal Splitter / Isolator

- Suitable for use in SIL1, SIL2 and SIL3 rated Safety Instrumented System (SIS) Loop applications (EN 61508-2)
- Non-Smart / Non-uProcessor based, Type A instrument
- Ultra slim Compact Design, up to 30 units along 12" length of Din Rail
- 6 Year Warranty
- Universal DIN Rail Mounting, suitable for TS35 Top-Hat & TS32 G-Rails

### Technical Specification

#### Input Options (Impedance)

0/4-20mA (Passive port) 50Ω  
0/1-5Vdc 500K

#### Dual Output Options (Drive)

0/4-20mA (Active port) Max load 300Ω  
0/1-5Vdc Min load 200KΩ

#### Supply

24Vdc ±10% std. (12V / 18-27Vdc supply options 'X' available)  
(Red LED Power ON indicator)

#### General Specification

Isolation: 1000V RMS Input/Output1/Output2/Supply  
Linearity: <± 0.05% of full scale  
Accuracy: <±0.1% of full scale  
Response Time: <200mS (0-100% step)  
(High Speed ≤25mS 0-100% step response option 'HS' available)  
Vibration: 1g at 15Hz to 150Hz  
Low Power Consumption: 1.5Watts  
IP Rating: IP20  
Weight: 75g

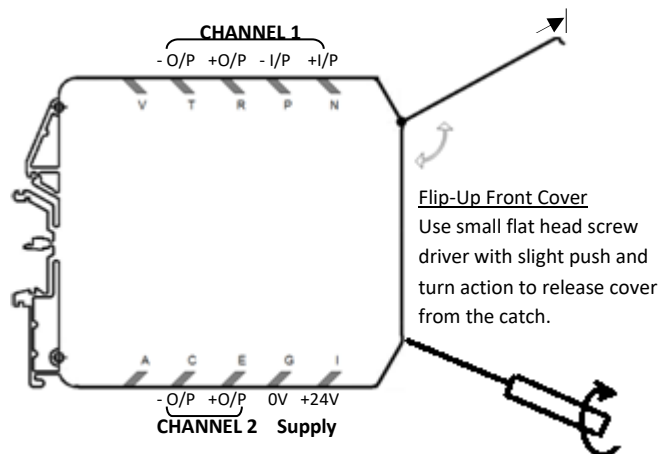
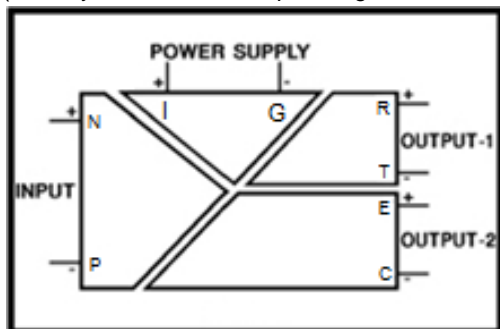
#### Environmental Conditions

Operating Ambient: -15 to +55°C  
Relative Humidity: 5 to 95% RH (Non-Condensing)  
EMC: 2014/30/EU, EN 61326-1:2013 (Controlled EM)

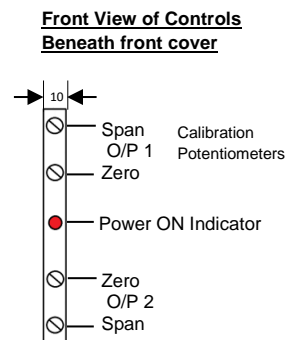
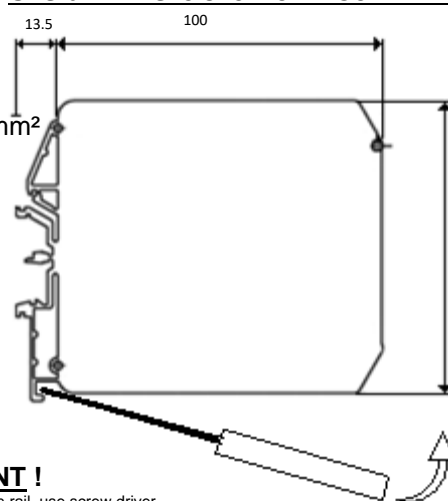
#### Customer Connections

Fixed screw terminals, accept solid/stranded cables ≤2.5mm<sup>2</sup>  
With 0.35Nm max screw Torque. Screened twisted pairs  
Cable recommended as std for 4-20mA loop signals.

(Dummy units available if planning for future expansion)



#### Overall Dimensions: 10w x 90h x 113.5d mm:



#### ! IMPORTANT !

To dismount from Din rail, use screw driver as shown to release the catch.

(Please refer to additional din rail mounting instruction sheet for further guidance, available on request if needed)

Push upwards to release from the Din rail

Tel: 01908-567003 Email: [sales@amelec-uk.com](mailto:sales@amelec-uk.com) Visit: [www.amelec-uk.com](http://www.amelec-uk.com) Fax: 01908-566735

**AMELEC Instruments, Cochran Close, Crownhill, Milton Keynes, MK8 0AJ**