

ADM237KX-2 Process Signal Isolator / Splitter

- Non-Smart, Non-uProcessor based instrument (Type A)
- Suitable for SIL 1, SIL 2 & SIL 3 (EN 61508-2) safety instrumented system (SIS) loop applications
- Suitable for combinations of process I/V inputs and outputs
- Supply voltage options:
 - 115Vac ±20%
 - 230Vac ±20%
 - 24Vdc ±10%
 - 48Vdc ±10%
- RFI Protection to EN 61000-4-3:2006/A2:2010
- AMELEC Standard 10 Year Warranty

Technical Specifications

Input

The input active port terminals 1 (+) & 2 (-) include the Excitation loop and thus provides 24Vdc @22mA max power for the 4-20mA two-wire field transmitter.

4-20mA Passive/Sink port connection = 2 (+) & 3 (-)

Analogue Outputs

DC current or voltage may be specified for each output in the range of:
 Current: ≤ 22mA max, Source configuration (Internally powered) or
 Voltage: up to 10V max.

Output 1 terminals 7 (+) & 8 (-), Output 2 terminals 4 (+) & 5 (-).

Current up to 100mA max in Sink configuration (externally powered),
 Output1 terminals 8 (+) & 9 (-), Output2 terminals 5 (+) & 6 (-).

Performance

Accuracy/Linearity: <±0.1% Span
 Response time: <100mS as std (0-100% input step change)
 Supply consumption: <4VA
 Input Open Circuit response: Downscale drive as standard
 (O/C response Upscale drive option available on request)

Protection

Isolation: 500Vdc Input/Output/Output/Supply/Earth
 Internal Fuse
 RF Immunity: 20MHz-3GHz/5.25GHz ≤10V/m,
 (80MHz-1GHz/5.6GHz ≤30V/m, 889MHz-1.75GHz ≤40V/m)

Environmental Conditions

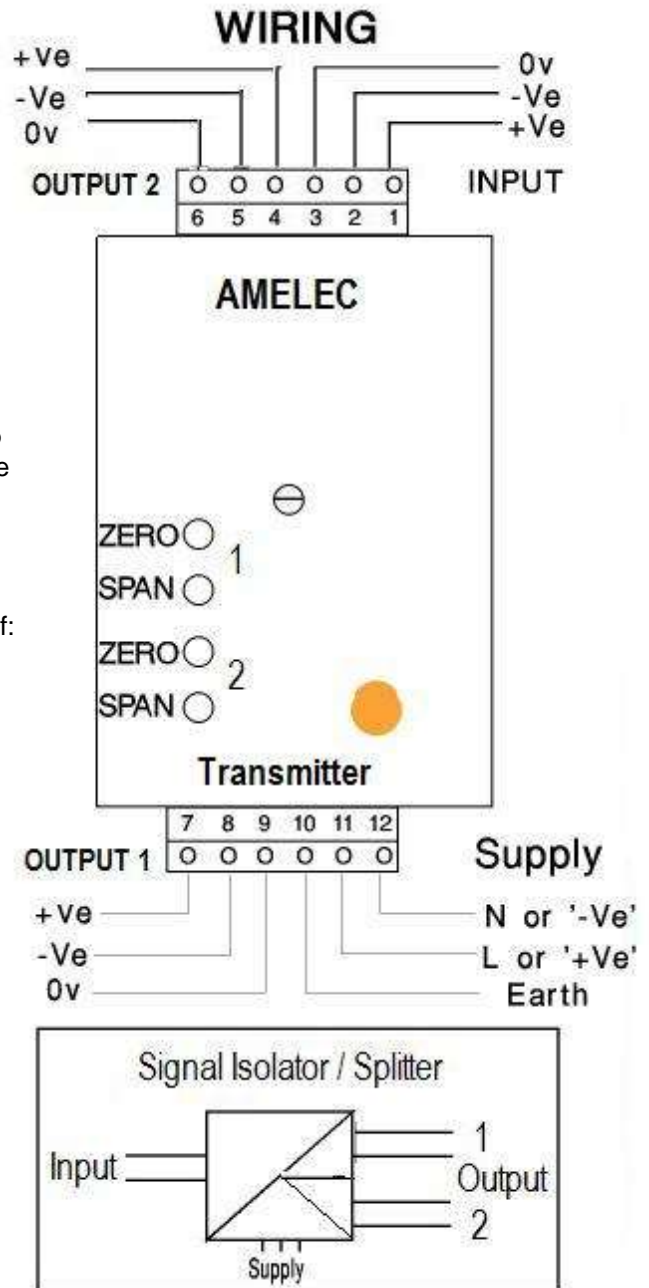
Storage Temperature: -40 to +70°C
 Operating Ambient: -15 to +55°C
 Relative Humidity: 5 – 95% RH (Non-Condensing)
 EMC: 2014/30/EU; EN 61326-1:2013 (Generic Industrial Levels)
 RoHS: 2011/65/EU

Options

J = An input jack for injecting an external signal into the input without disturbing the loop

DI = A 3½ digit Liquid Crystal Display on unit front fascia, showing input or output scaled in units to suit the application.

X = any 'Other' power supply or special Customising request



Mounting/Dimensions

DIN Rail (TS35) as standard
 Enclosure Dims: 50w x 75h x 182d mm.

Surface by seismic keyhole plate (50w x 130h mm)
 & front of panel mounting options also available

Customer connections via screw terminal blocks
 towards rear of enclosure (Fixed or plug-in optional)

Tel: 01908-567003 Email: sales@amelec-uk.com Visit: www.amelec-uk.com Fax: 01908-566735

AMELEC Instruments, Cochran Close, Crownhill, Milton Keynes, MK8 0AJ