

## ADG124 Optocoupler Terminal Block

- Suitable for use in SIL1, SIL2 and SIL3 rated Safety Instrumented System (SIS) Loop applications (EN 61508-2)
- Non-Smart / Non-uProcessor based, Type A instrument
- Compact Design - 10mm along the length of the rail. 69mm depth from the rail
- 5 Year Warranty
- Suitable for TS32 G-Rail and TS35 Top-Hat DIN Rail Mounting

### Technical Specification

#### Input

Nominal 24V pulse as standard  
(Min 12V / Max 30V)  
Loading effect 30µA @ 24Vdc  
Amplitude range 5V to 30V  
Frequency 0 ~ 1000 Hz

Other input range & types available on request

#### Output

0V or 24V pulse, repeat of input  
(Input detection Threshold at 12V as standard)  
24V Pulse at up to 6mA Drive.  
Other output range & types available on request

#### Supply

24Vdc ±10% (RED LED Power ON indicator)

### General Specification

Wiring:	26 to 12 AWG
Terminal Screw torque:	2,5mm <sup>3</sup> / 0.3Nm Max Torque
Isolation:	1000V RMS Input/Output/Supply
Amplitude Accuracy:	<±3% of full scale
Input O/C response:	Downscale drive
Response Time:	<1mS
Power Consumption:	0.75Watts
Weight:	34g

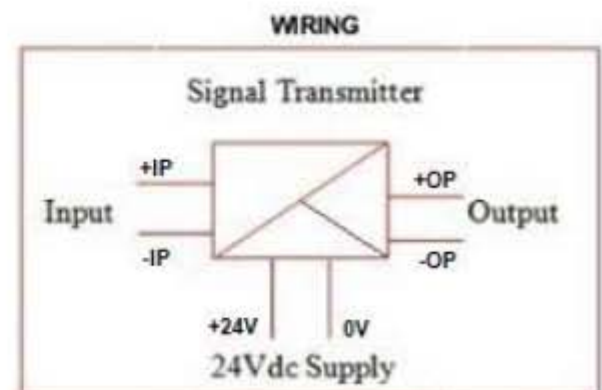
### Environmental Conditions

Operating Ambient:	-10 to +70°C
IP rating:	IP20
Relative Humidity:	5 to 95% RH (Non-Condensing)
EMC:	2014/30/EU, EN 61326-1:2013 (Controlled EM)

### Dimensions

Dimension (mm): 10w x 88.5h x 69d

Dummy units available if planning for future expansion



Tel: 01908-567003 Email: [sales@amelec-uk.com](mailto:sales@amelec-uk.com) Visit: [www.amelec-uk.com](http://www.amelec-uk.com) Fax: 01908-566735

**AMELEC Instruments, Cochran Close, Crownhill, Milton Keynes, MK8 0AJ**