

## ASM230 Process Signal Transmitter / Isolator

- Suitable for SIL 1, SIL 2 & SIL 3 rated (EN 61508-2) Safety Instrumented (SIS) System Loop applications
- Non-Smart / Non-uProcessor based, Type A instrument
- Supply Voltage options: **24Vdc ±10%** or **48Vdc ±10%** as std  
(**12Vdc ±10%** or **9-18Vdc** options also available)
- Amelec standard 10 year warranty

### TECHNICAL SPECIFICATION

#### Input

Any DC voltage or current process signals, which can be routed into a pi network to develop a 400mV span.

Current ranges up to 100mA max input (Passive/Sink port)

Voltage ranges up to 150Vdc max (impedance  $\geq 1M\Omega$ )

Typical Input: 4-20mA (impedance 20 $\Omega$ ) or 0-10Vdc (impedance 1M $\Omega$ )

(Scale & Bias, Bi-polar or Reverse Acting signal options 'X' available)

#### Output

The current source can be up to 20mA with a drive voltage of 20V.

The voltage source can be up to 10Vdc, maximum drive 20mA.

The Current Output can be configured as either a Sink or Source port by way of connection to the output terminals.

(Sink port: max 30Vdc external loop supply)

Typical Output: 4-20mA (into max load 1200 $\Omega$ ) or 0-10Vdc (min load 500 $\Omega$ )

#### Performance

Isolation: 1000V RMS Input/Output/Supply

Accuracy/Linearity:  $< \pm 0.1\%$  Span

Response time:  $< 100\text{ms}$  (0-100% input Step change)

Input Over range:  $\leq 300\%$

Input O/C response: Downscale drive as standard

(Input Open Circuit response Upscale drive option available)

Controls: Zero/Span potentiometers ( $\pm 20\%$  span adjustment)

Indicator: Amber Power **ON** LED

DC Supply variation:  $\pm 10\%$

Supply consumption:  $< 3\text{VA}$

#### Environmental Conditions

Storage Temperature: -40 to +70°C

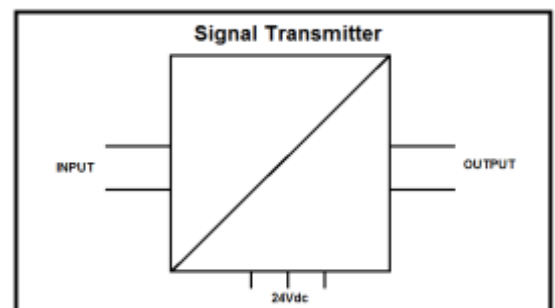
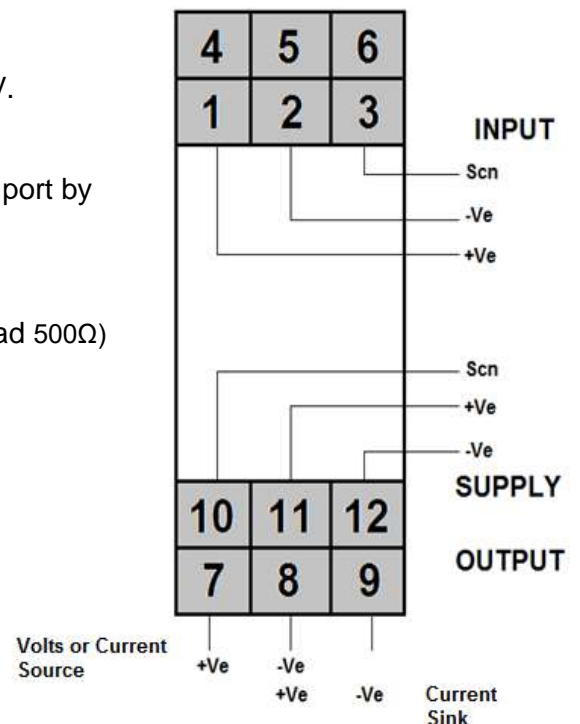
Operating Ambient: -15 to +55°C

Relative Humidity: 5 – 95% RH (Non-condensing)

EMC: 2014/30/EU , EN 61326-1:2013 (controlled EM)

#### Mounting / Dimensions

Din Rail (TS35) / Enclosure Dims: 22.5w x 75h x 110d mm



Tel: 01908-567003   Email: [sales@amelec-uk.com](mailto:sales@amelec-uk.com)   Visit: [www.amelec-uk.com](http://www.amelec-uk.com)   Fax: 01908-566735

**AMELEC Instruments, Cochran Close, Crownhill, Milton Keynes, MK8 0AJ**