

## ADG231-HS High Speed 4-20mA Signal Splitter / Isolator

- Suitable for use in SIL1, SIL2 and SIL3 rated Safety Instrumented System (SIS) Loop applications (EN 61508-2)
- Non-Smart / Non-uProcessor based, Type A instrument
- Ultra slim Compact Design, up to 30 units along 12" length of Din Rail
- 6 Year Warranty
- Universal DIN Rail Mounting, suitable for TS35 Top-Hat & TS32 G-Rails

### Technical Specification

#### Input Options (Impedance)

0/4-20mA (Passive port)	50Ω
0/1-5Vdc	500K

#### Dual Output Options (Drive)

0/4-20mA	Max load 300Ω
0/1-5Vdc	Min load 200K

#### Supply

24Vdc ±10% as std. (12Vdc supply option 'X' available)  
(Red LED Power ON indicator)

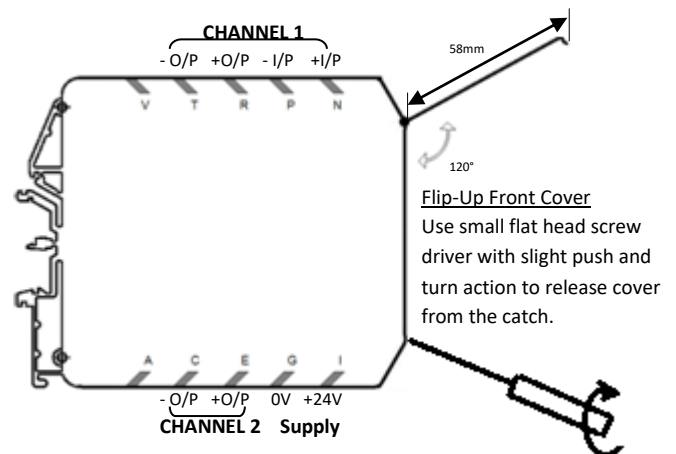
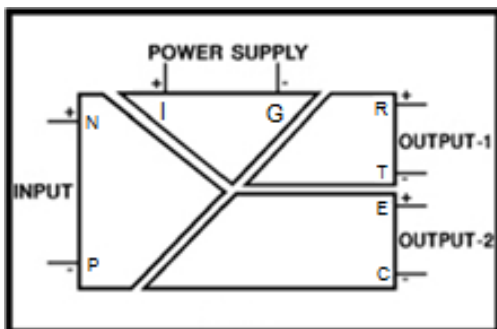
#### General Specification

Isolation:	1000V RMS Input/Output1/Output2/Supply
Linearity:	<± 0.05% of full scale
Accuracy:	<±0.1% of full scale
Response Time:	<25mS (0-100% step)
Vibration:	1g at 15Hz to 150Hz
Low Power Consumption:	1.5Watts
IP Rating:	IP20
Weight:	75g

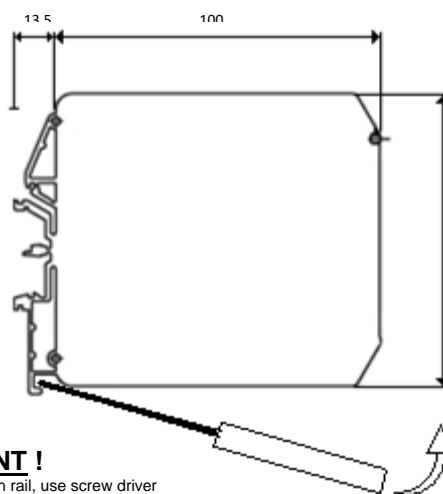
#### Environmental Conditions

Operating Ambient: -15 to +55°C  
Relative Humidity: 5 to 95% RH (Non-Condensing)  
EMC: 2014/30/EU, EN 61326-1:2013 (Controlled EM)

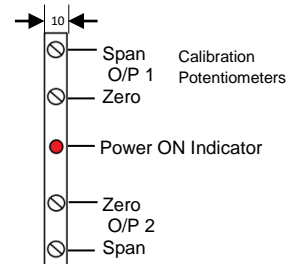
(Dummy units available if planning for future expansion)



#### Overall Dimensions: 10w x 90h x 113.5d mm:



#### Front View of Controls Beneath front cover



#### ! IMPORTANT !

To dismount from Din rail, use screw driver as shown to release the catch.

(Please refer to additional din rail mounting instruction sheet for further guidance, available on request if needed)

Push upwards to release from the Din rail

Tel: 01908-567003 Email: [sales@amelec-uk.com](mailto:sales@amelec-uk.com) Visit: [www.amelec-uk.com](http://www.amelec-uk.com) Fax: 01908-566735

**AMELEC Instruments, Cochran Close, Crownhill, Milton Keynes, MK8 0AJ**