

## ADT132LX-3 (K) Process I/V Trip Amplifier

- Suitable for SIL 1, SIL 2 or SIL 3 rated (EN 61508-2) safety instrumented system (SIS) loop applications
- Supply voltage options:
  - 115Vac ±20%
  - 240Vac ±20%
  - 24Vdc ±10%
  - 48Vdc ±10%
 (Other supply options available on request - 'X' option)
- Non-Smart/Non-uProcessor based, Type A instrument
- Up to 3 x Latching Relays, with common Remote Reset facility
- RFI Protection to EN 61000-4-3:2006/A2:2010 option available ('K' option)
- 24Vdc @ 22mA two wire Input loop Excitation option available ('M' option)

### Technical Specifications

#### Input

Any current or voltage (DC) drive that can be terminated in a PI network to produce a 400mV span. Typical examples; 0-1mA, 0-10mA, 4-20mA, 0-5V, 0.4-2.0V, 0-10V, 0-100Vdc

#### 3 x Relay Outputs

Each trip output is a set of C.O contact, rated at 250VAC, 2A, 100VA resistive as std. (Other ratings available – 'X' option)

#### Deadband

Standard nom 1% Span, other fixed Bands available on request.

#### Performance

Trip settability: ±1%  
 Trip repeatability: ±0.1%  
 Response time: <100mS (0-100% step change)  
 Input Open Circuit response: Downscale drive as standard (O/C Upscale drive available if required – 'X' option)

#### Protection

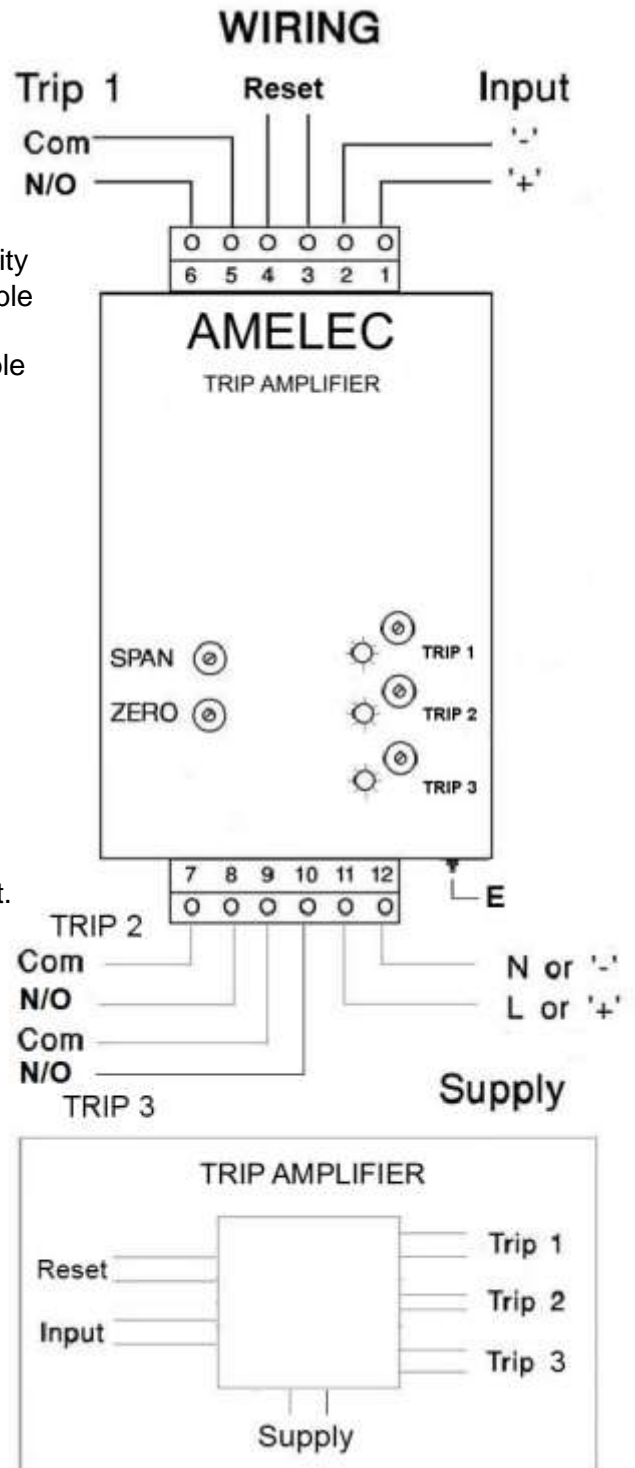
Isolation: 1000V RMS\* Input/Contact-Contacts/Supply/Earth  
 \*(500Vdc if 'K' option specified; RF Immunity: 20MHz-3GHz/5.25GHz ≤10V/m, 80MHz-1GHz/5.6GHz ≤30V/m, 889MHz/1.75GHz ≤40V/m)

#### Environmental Conditions

Storage Temperature: -40°C to +70°C  
 Operating Ambient: -15°C to +55°C  
 Relative Humidity: 5 – 95% RH (Non-Condensing)  
 EMC: 2014/30/EU, EN 61326-1:2013 (Controlled EM)  
 ('K' option to Generic Industrial levels)

#### Dimensions

50w x 75h x 145d mm  
 ('k' option = 182d mm)



#### Mounting Options

Heavy duty Din Rail (TS35) as standard.

Surface by Seismic Keyhole plate option available (mounting plate Dimension: 50w x 130h mm)

Tel: 01908-567003 Email: [sales@amelec-uk.com](mailto:sales@amelec-uk.com) Visit: [www.amelec-uk.com](http://www.amelec-uk.com) Fax: 01908-566735

**AMELEC Instruments, Cochran Close, Crownhill, Milton Keynes, MK8 0AJ**