

## ADM282 Pulse/Frequency Trip Transmitter/Isolator

- Suitable for SIL 1 & SIL 2 rated (EN 61508) safety instrumented system (SIS) loop applications, as 1oo1 architecture (HFT:0)
- Supply voltage options:
  - 115Vac ±20%
  - 240Vac ±20%
  - 24Vdc ±10%
  - 48Vdc ±10%
- Non-Smart / Non-uProcessor based,, Type A instrument
- Digital Display available ('DI' option)
- RFI Protection to EN 61000-4-3:2006/A2:2010 available ('K' option)
- AMELEC Standard 10 year warranty

### Technical Specification

#### Input Pulse/Frequency

Any regular pulse or repetitive wave form incl; Namur, Sine, Square or Sawtooth. Min 25Hz calibrated Span, Max 50KHz.

Input level may be anywhere between 50mV and 200V p-p.

Front Plate pot screened Cut Off to set minimum signal Voltage (Factory set @ 100mV **or** 1V)

Voltage pulses up to 200V or Volt free contacts (wetted with 10V @3mA)

Current from 100uA

(AC/NPN/PNP/TTL/OPEN COLLECTOR/RELAY inputs available)

Up to 24Vdc @22mA I/P loop/sensor Excitation available ('M' option)

#### Analogue + Trip Output

Any standard process current or voltage signal. Current source up to 20mA, with Drive voltage 11Vdc. Current sink up to 20mA, with External Drive ≤30Vdc. Voltage source up to 10V, max current 20mA. Typically: 4-20mA (max load 550Ω) or 0-10Vdc (min load 500Ω).

A set of S.P.C.O contacts, rated 250VAC, 2A, 100VA (resistive) Latching relay option 'L' available with Local or Remote Reset. Red LED indication of Relay status, ON Energised/healthy, Extinguished in Trip/De-energised state as standard. (Red/Green BI-colour LED optional)

#### Performance

Isolation: 1000V RMS\* Input/Output/Contacts/Supply/Earth \*(500Vdc when RFI protection option 'K' is specified)

Accuracy/Linearity/Trip repeatability: ±0.1%

Deadband: 1% span as std (adjustable 1-20% span optional 'V')

Response time: <400mS as std (0-100% input step change)

Supply consumption: <4VA

Input O/C response: Downscale drive as standard

Fail Safe Relays: De-energise on Trip & Loss of Power as std

#### Environmental Conditions

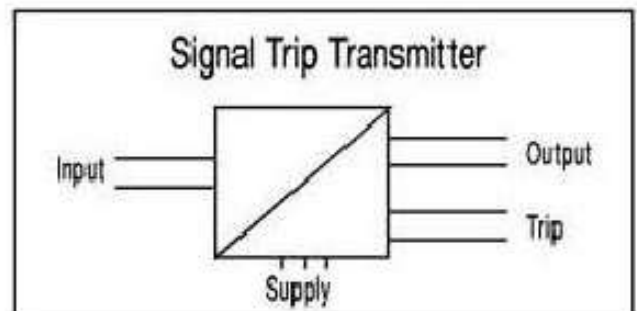
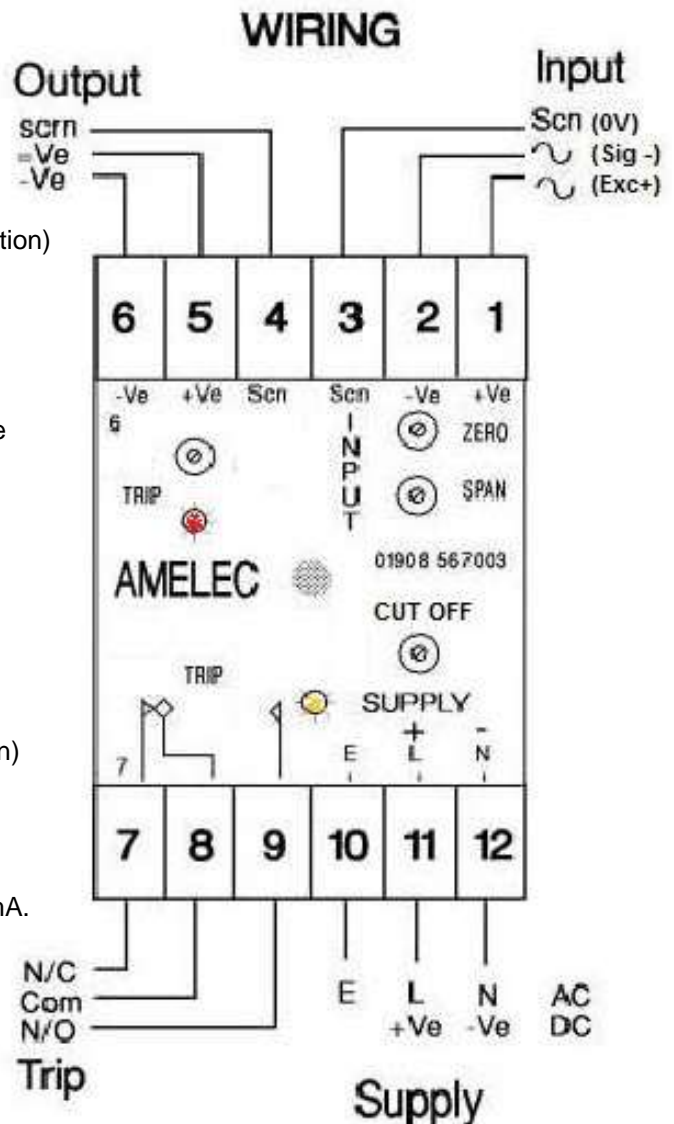
Storage Temperature: -40 to 70°C

Operating Ambient: -15 to 55°C

Relative Humidity: 5 – 95% RH (Non-Condensing)

EMC: 2014/30/EU, EN 61326-1:2013 (controlled EM)

('K' option: EMC/EMI/RFI protection to the highest Generic Industrial Standards)



#### Mounting / Demensions

Either Din Rail (TS35) **or** Surface by corner fixing holes in standard 50w x 75h x 110d mm enclosure.

('DI' option = 145d mm, 'K' option = 182d mm)

Tel: 01908-567003 Email: [sales@amelec-uk.com](mailto:sales@amelec-uk.com) Visit: [www.amelec-uk.com](http://www.amelec-uk.com) Fax: 01908-566735

**AMELEC Instruments, Cochran Close, Crownhill, Milton Keynes, MK8 0AJ**