

ADT116DI(BI)(V)(X)(K) Dual Trip Amplifier with Display

- Suitable for SIL 1, SIL 2 or SIL 3 rated (IEC61508) safety system loop applications
- Suitable for mV input signal ranges up to 400mV
- Supply voltages: 115Vac $\pm 20\%$
240Vac $\pm 20\%$
24Vdc $\pm 10\%$
48Vdc $\pm 10\%$
110Vdc $\pm 10\%$
- RFI Protection to IEC61000-4-3:2006/A2:2010
- AMELEC Standard 10 year warranty

Technical Specifications

Input

Any mV range (up to 400mV) may be specified, with a minimum span of 4mV.

Outputs

Each Trip output has a set of changeover contacts, rated at 250VAC, 3A, 100VA (resistive).

Red LED indication of each Relay status as standard (Red/Green BI-colour LED optional)

Display of the input on a 3½ digit LCD, scaled as either 0-100.0% or in Engineering units to suit the application.

Up to 4.5 digit Red LED Display option also available. Front fascia Read buttons or Toggle switch show the trip set points within the calibrated scale range.

Isolation

1000V RMS*Input/Contacts/Contacts/Supply/Earth
*(500Vdc if RFI option 'K' is specified)

Performance

Deadband: Fixed 1% span std (Adjustable 1-20% optional)

Trip settability: $\pm 1\%$

Trip repeatability: $\pm 0.1\%$

Response time: <400mS

Input O/C response: Up or Downscale drive may be specified

Fail safe: Relays De-energise on Trip & for Loss of power

Environmental Conditions

Storage Temperature: -40 to 70°C

Operating Ambient: -15 to 55°C

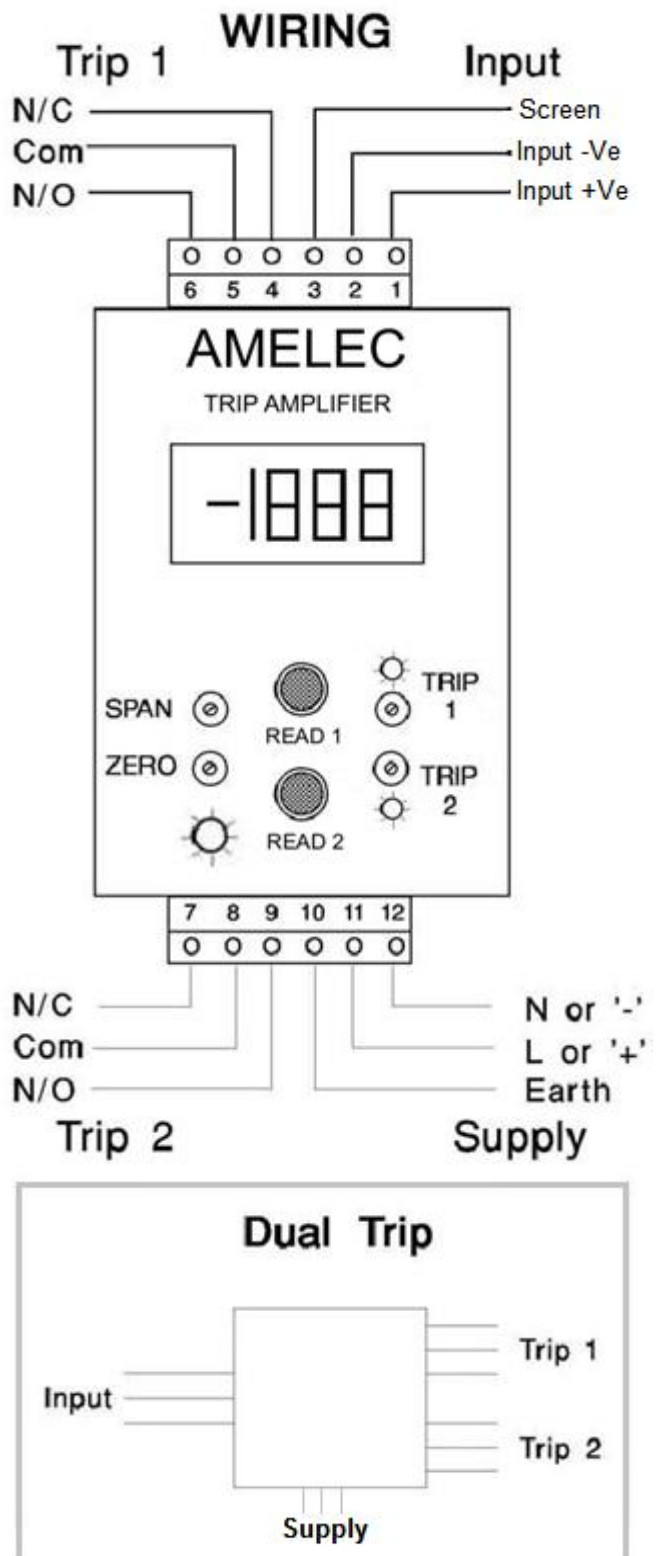
Relative Humidity: 5 – 95% RH

Mounting/Dimensions

50w x 75h x 145d (mm)

RFI 'K' option enclosure = 182d (mm)

Standard DIN Rail (TS35) or Surface Keyhole plate or Front of Panel mounting options available.



Customer Termination

Fixed screw terminals as standard
(Plug-in terminals optional)

Tel: 01908-567003 Email: sales@amelec-uk.com Visit: www.amelec-uk.com Fax: 01908-566735

AMELEC Instruments, Cochran Close, Crownhill, Milton Keynes, MK8 0AJ