

## ADT111DI (BI)(V)(L)(T)(X)(K) Thermocouple Trip Amplifier

- Suitable for SIL 1, SIL 2 & SIL 3 rated (EN 61508-2) safety system loop applications
- Non-Smart/Non-uProcessor instrument (Type A)
- Supply voltage options:
 

115Vac	±20%
240Vac	±20%
24Vdc	±10%
48Vdc	±10%
- RFI Protection to EN 61000-4-3:2006/A2:2010 'K' option available
- AMELEC Standard 10 year warranty

### Technical Specifications

#### Input

mV signal developed from any thermocouple type; J, K, N, R, S or T, with a minimum 4mV span.

#### Trip Relay Output

A set of D.P.C.O contacts, rated 250VAC, 3A,100VA (resistive).  
 Fail Safe Relay: De-energises on Trip & Loss of Power.  
 Red LED indication of Relay status: On Energised/healthy,  
 Extinguished in Trip/De-energised state as standard  
 (Red/Green BI-colour indicator LED optional)

Display of the Input on a 3½ digit LCD, Calibration range: -1999 to +1999, scaled 0-100.0 (%) or in Engineering units to suit.  
 (Up to 4½ digit Red LED Display option also available)

Front fascia Read button or Toggle switch shows the Trip Set point within the calibrated scale.

#### Isolation

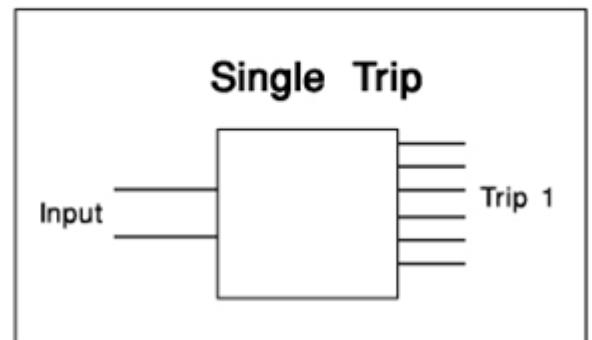
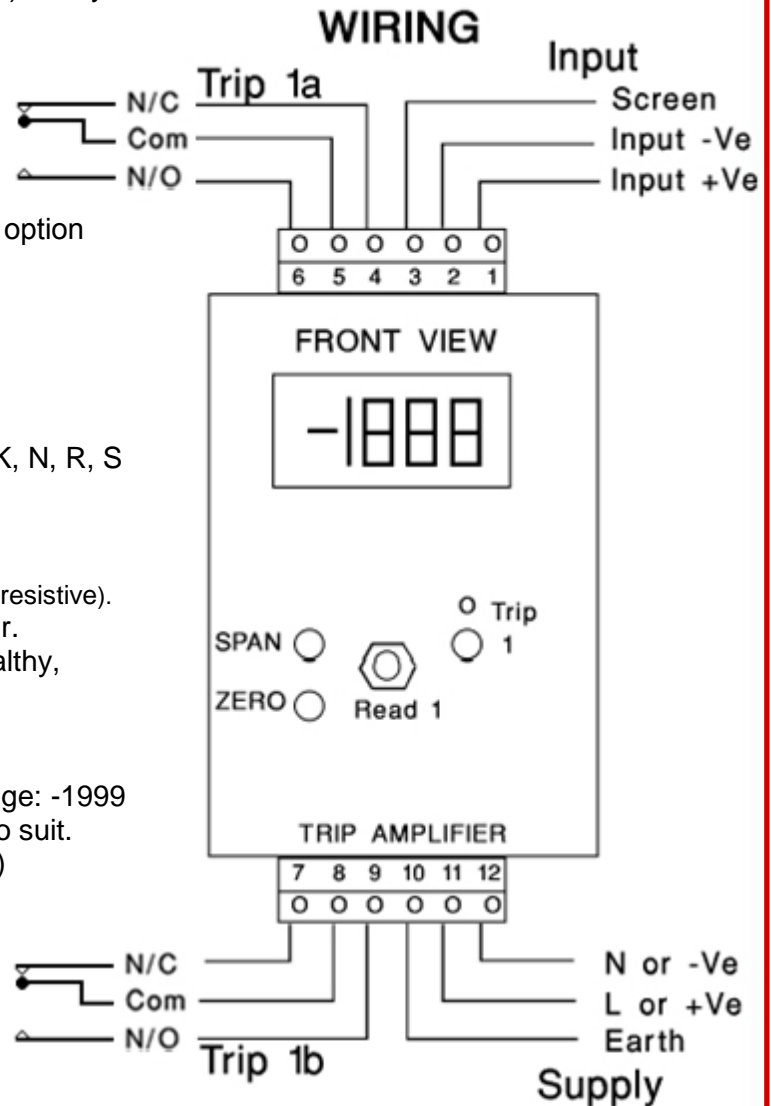
1000V RMS\* Input/Contact(s)/Supply/Earth  
 \*(500vdc if RFI option (K) is specified)

#### Performance

Deadband: 1% standard (variable 1-20% optional 'V')  
 (Latching Relay optional 'L', with local or Remote Reset)  
 Trip settability: ±0.1%  
 Trip repeatability: ±0.1%  
 (Timer relay optional 'T', 10 secs up to 10 mins delay available)  
 Response time: <400mS  
 Input O/C response: Upscale drive as standard  
 (O/C Downscale drive response available on request)

#### Mounting/Dimensions

Din Rail (TS35) standard, Surface by seismic Keyhole plate or Front of Panel mounting options also available on request.  
 (Fixed screw terminals as standard, Plug-in terminals optional)  
 Enclosure: 50w x 75h x 145d mm  
 (RFI 'K' option enclosure = 182d mm)



#### Environmental Conditions

Storage Temperature: -40 to 70°C  
 Operating Ambient: -15 to 55°C  
 Relative Humidity: 5 – 95% RH  
 'K' option RF Immunity: 20MHz-3GHz ≤10V/m  
 (80MHz-1GHz/5.6GHz ≤30V/m, 889MHz-1.75GHz ≤40V/m)