

ADT138DI Process Signal Quad Trip Amplifier with Display

- Suitable for SIL 1, SIL 2 & SIL 3 rated (EN 61508-2) Safety Instrumented System (SIS) loop applications
- Non Smart/Non-uProcessor based, Type A instrument
- Supply voltage options:
 - 115Vac ±20%
 - 240Vac ±20%
 - 24Vdc ±10%
 - 48Vdc ±10%
- AMELEC Standard 10 year warranty

Performance

Trip settability: ±1%
 Trip repeatability: ±0.1%
 Response time: ≤100mS (0-100% input step)
 Input O/C response: Downscale drive as standard (O/C response Upscale drive, 'X' option available)

Environmental Conditions

Storage Temperature: -40 to +70°C
 Operating Ambient: -15 to +55°C
 Relative Humidity: 5–95% RH (Non-condensing)
 EMC: 2014/30/EU, EN 61326-1:2013 (Controlled EM)

Technical Specifications

Input

Any current or voltage drive that can be terminated in a PI network to produce a 400mV span.

(24Vdc @22mA two-wire Input loop Excitation, 'M' option available)
 Input injection Jack 'J' option available to enable the input loop to be overridden and an external current source to be injected.

Note: the original process loop integrity is maintained.

Outputs

Each trip output is a set of changeover contacts, rated at 250VAC, 2A, 100VA (resistive).

Red LED indication of each Relay status; illuminated Read button indicates Energised/healthy, Extinguished in Trip/De-energised state (Fail Safe Relays De-energise on Trip & on loss of power as std)

Display

Continuous display of the input signal on a 3½ digit LCD display.
 Read buttons show the trip set points within the scale on the display, Calibration Range: -1999 to +1999.
 Factory scaled as either 0.0-100.0 (%) or as Engineering units anywhere within the range to suit the application if preferred.

Customer Termination

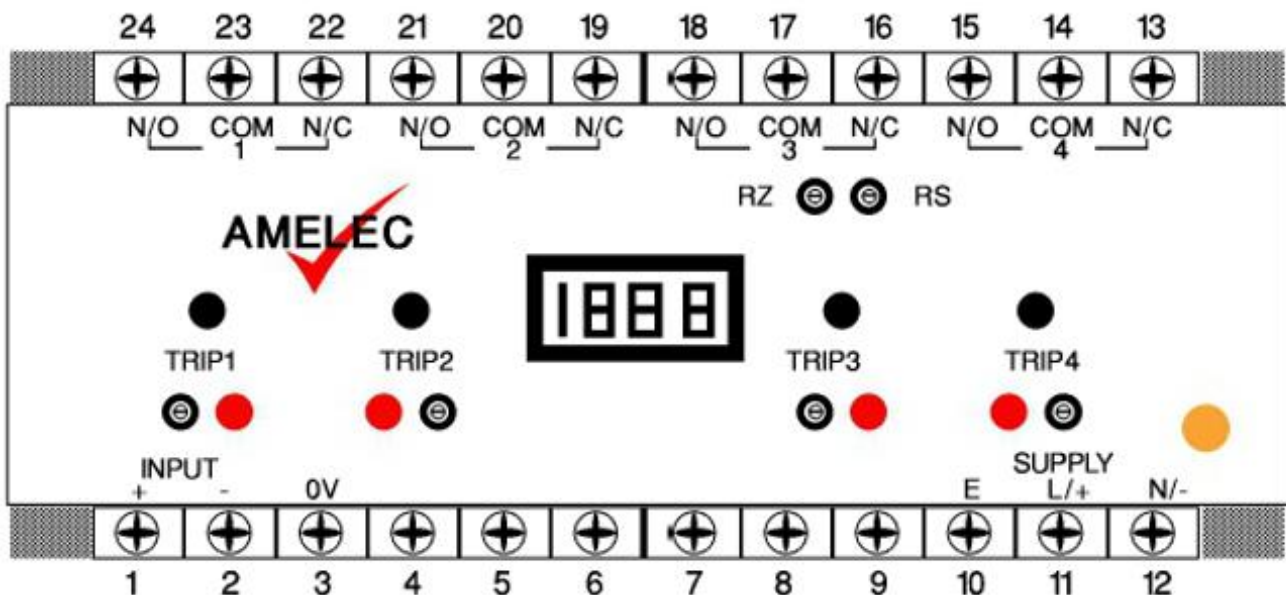
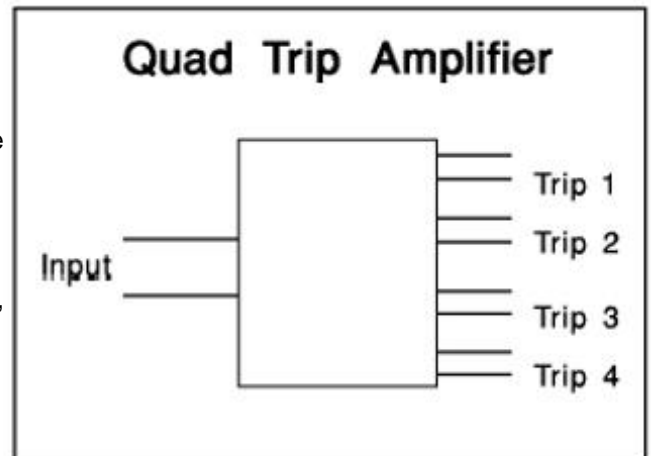
Fixed screw terminals to front of enclosure (terminal covers supplied)

Isolation

1000V RMS Input/Contacts-Contacts/Supply/Earth

Enclosure Dimensions / Mounting

152w x 81h x 137d (mm) / Din Rail (TS35)



Tel: 01908-567003 Email: sales@amelec-uk.com Visit: www.amelec-uk.com Fax: 01908-566735
AMELEC Instruments, Cochran Close, Crownhill, Milton Keynes, MK8 0AJ