

ADG230 Process Signal Isolator

- Suitable for use in SIL1, SIL2 and SIL3 rated Safety Instrumented System (SIS) Loop applications (EN 61508-2)
- Non-Smart / Non-uProcessor based, Type A instrument
- Ultra Compact Design - 10mm along the length of the rail. 69mm depth from the rail
- 6 Year Warranty
- Suitable for TS32 G-Rail and TS35 Top-Hat DIN Rail Mounting



Technical Specification

Input Impedance

4-20mA (Passive port) 50Ω
1-5V 500KΩ

Output Options Drive

4-20mA (Active port) Max load 450Ω
1-5Vdc Min load 200KΩ

Supply

24Vdc ±10% (RED LED Power **ON** indicator)

General Specification

Isolation:	1000V RMS Input/Output/Supply
Linearity:	<±0.05% of full scale
Accuracy:	<±0.1% of full scale
Input O/C response:	Downscale drive
Response Time:	<200mS (0-100% span step change)
Low Power Consumption:	0.75Watts
Weight:	34g

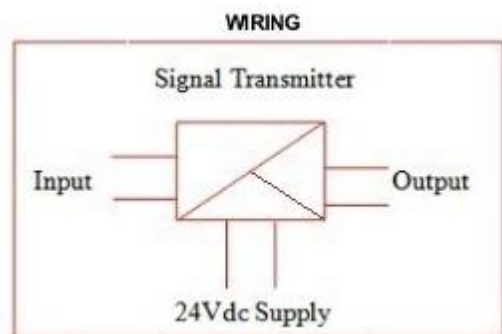
Environmental Conditions

Operating Ambient: -5 to +55°C
Relative Humidity: 5 to 95% RH (Non-Condensing)
EMC: 2014/30/EU , EN 61326-1:2013 (Controlled EM)

Dimensions

10w x 88.5h x 69d mm

Dummy units available if planning for future expansion



Tel: 01908-567003 Email: sales@amelec-uk.com Visit: www.amelec-uk.com Fax: 01908-566735

AMELEC Instruments, Cochran Close, Crownhill, Milton Keynes, MK8 0AJ