

AEC132 Process I/V Trip Amplifier

- Suitable for High-Low, High-High, Low-Low or Low-High Trip combinations
- True universal AC/DC supply voltage 21V through 265V AC/DC

Technical Specifications

Input

The standard input signal is 4-20mA, other current or voltage ranges are available on request. Signals are routed into a pi network to develop a 1V span. (I.e: Passive/Sink port, impedance 50 ohms)

2 x Independent Relay Outputs

Each Trip relay provides a changeover contact output, rated at 250V AC 2A, 120V AC 1A (24Vdc 2A). Green LED relay / Trip status indicators. Trip points are set by 15-turn blindest potentiometers, with a Test Point (SP) to monitor each trip Set Point; 4-20mA = 0.2 to 1Vdc, referenced to input 0V. Trip Hysteresis set by 15-turn potentiometers (1 to 4%).

Jumper Setting:

User friendly DIL switch / Jumper links to change original factory settings.

1. Relay output: N/C or N/O
2. Input O/C fault: Failsafe or non-failsafe
3. Trip on High/rising or Low/falling signal
4. Relay normally Energised or De-energised

Burden on supply: 2W

Isolation

1000V RMS Input/Contacts/Contacts/Supply

Environmental Conditions

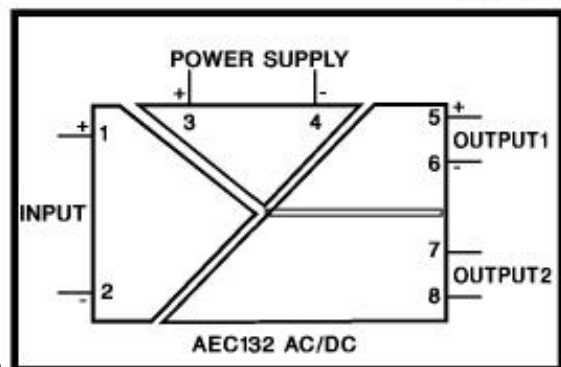
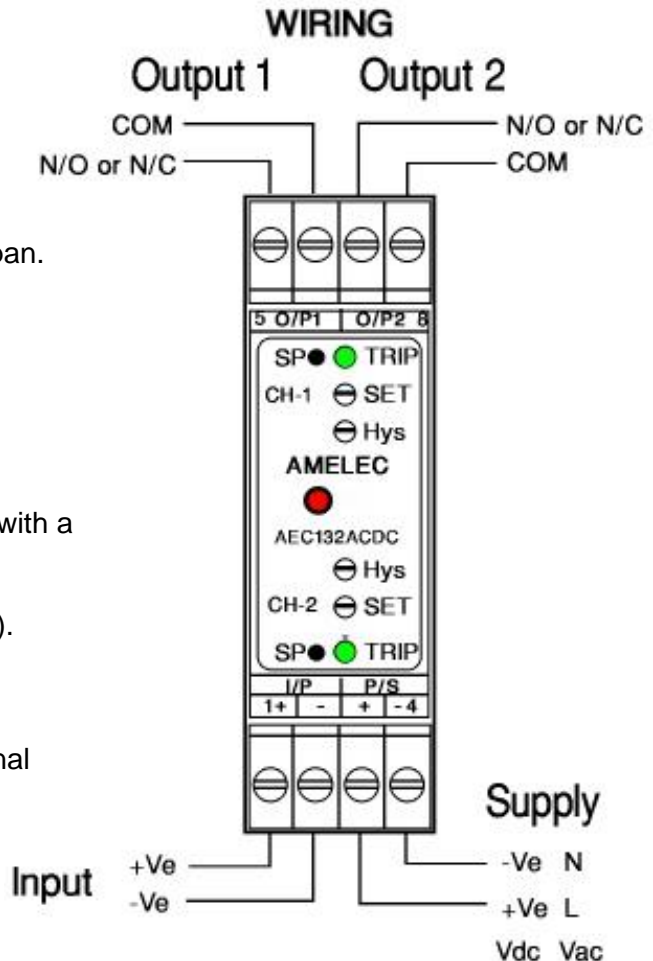
Storage Temperature: -20°C to +70°C
 Operating Ambient: 0°C to +55°C
 Relative Humidity: 5% to 95% RH (Non-Condensing)
 EMC: 2014/30/EU, EN 61326-1:2013 (Controlled EM)

Dimensions

H: 75mm W:22.5mm D:105mm

Mounting

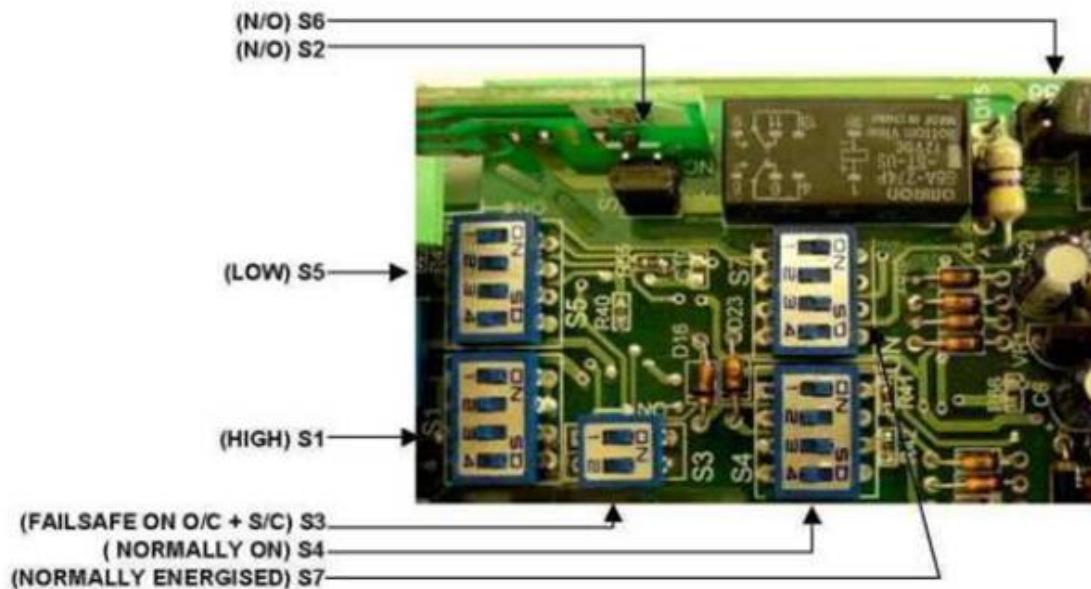
Din Rail (TS35)



Tel: 01908-567003 Email: sales@amelec-uk.com Visit: www.amelec-uk.com Fax: 01908-566735

AMELEC Instruments, Cochran Close, Crownhill, Milton Keynes, MK8 0AJ

AEC132AC/DC Process Trip Amplifier



Above picture showing default setting

TRIP 1 / CH-1

Trip mode High or Low	S1	LO	HI
	1	OFF	ON
	2	ON	OFF
	3	ON	OFF
	4	OFF	ON

Relay contacts Normally open or closed.	S2	NO	NC
		<input type="checkbox"/>	<input type="checkbox"/>
		<input type="checkbox"/>	<input type="checkbox"/>

Input open / short circuit response. Failsafe or non failsafe.	S3	I/P O/C	I/P S/C	I/P O/C +S/C
	1	OFF	ON	ON
	2	ON	OFF	ON

Led energise on trip or de-energise.	S4	N-ON	N-OFF
	1	ON	OFF
	2	OFF	ON

Relay energise on trip or de-energise.	S4	N-ENG	N-DE ENG
	3	ON	OFF
	4	OFF	ON

TRIP 2 / CH-2

	S5	LO	HI
	1	OFF	ON
	2	ON	OFF
	3	ON	OFF
	4	OFF	ON

	S6	NO	NC
		<input type="checkbox"/>	<input type="checkbox"/>
		<input type="checkbox"/>	<input type="checkbox"/>

	S7	N-ON	N-OFF
	1	ON	OFF
	2	OFF	ON

	S7	N-ENG	N-DE ENG
	3	ON	OFF
	4	OFF	ON

Tel: 01908-567003 Email: sales@amelec-uk.com Visit: www.amelec-uk.com Fax: 01908-566735

AMELEC Instruments, Cochran Close, Crownhill, Milton Keynes, MK8 0AJ