

ASM220 RTD Signal Transmitter / Isolator

- Suitable for SIL 1, SIL 2 & SIL 3 rated (EN 61508-2) Safety Instrumented (SIS) System Loop applications
- Non-Smart / Non-uProcessor based, Type A instrument
- Supply Voltage options: 24Vdc \pm 10% or 48Vdc \pm 10%
- Amelec standard 10 year warranty

TECHNICAL SPECIFICATION

Input

From PT100 RTD with 2 or 3 Wire connection as standard, any temperature range with a span greater than 30°C

(PT500 & PT1000 input options available on request)

Typical Input

-20 to +30°C, 0-50°C, 0-100°C, or 0-150°C PT100, 3-wire connection

Input Open Circuit response: Upscale drive as std

Output

The current source can be up to 20mA with a drive voltage of 20V.
The voltage source can be up to 10V's, maximum drive 20mA.

The current output can be configured as a sink or source port by way of connection to the output terminals.
(Sink port: max 30Vdc external loop supply)

Typical Output

Current 4-20mA (max load 1200Ω)
Voltage 1-5Vdc (min load 250Ω)
Voltage 0-10Vdc (min load 500Ω)

Isolation

1000V RMS Input/Output/Supply.

Accuracy/Linearity

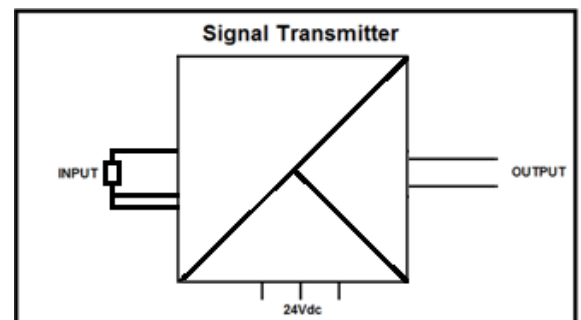
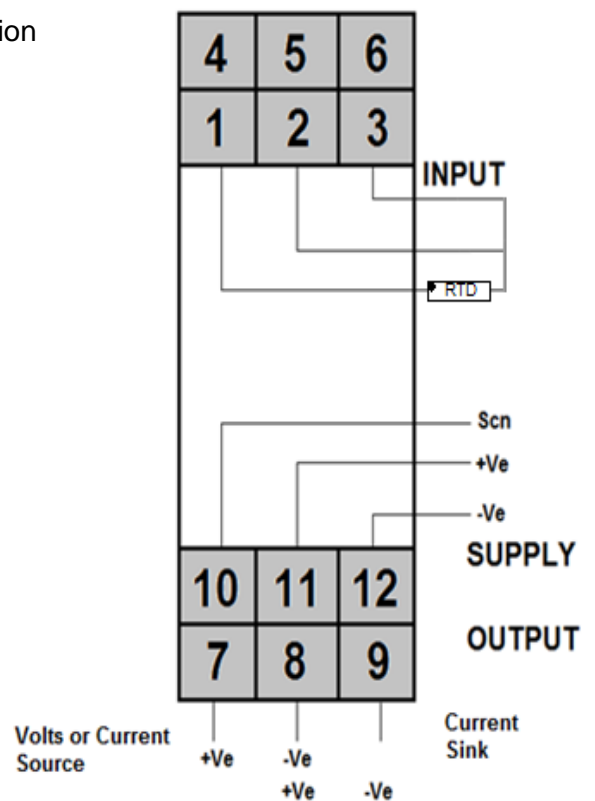
Linearity: $<\pm 0.1\%$ resistance Span
Accuracy: $<\pm 0.1\%$ Span

Environmental Conditions

Storage Temperature: -40 to +70°C
Operating Ambient: -15 to +55°C
Relative Humidity: 5 – 95% RH (Non-Condensing)
EMC: 2014/30/EU , EN 61326-1:2013 (Controlled EM)

Dimensions

22.5w x 75h x 110d mm



Tel: 01908-567003 Email: sales@amelec-uk.com Visit: www.amelec-uk.com Fax: 01908-566735

AMELEC Instruments, Cochran Close, Crownhill, Milton Keynes, MK8 0AJ