

## AMT230X-HPA

- AMELEC 3 Year Warranty

This instrument is a high power signal transmitter capable of driving a load up to 12A at 100% of the output span. Inside is an internal fan to aid cooling that switches on when the internal temperature reaches +40 °C

### TECHNICAL SPECIFICATION

#### INPUT

Any DC Voltage range can be specified in the range of: 0.5 to 150Vdc

Typical Input: 0-10Vdc (Impedance 1Mohms)

#### OUTPUT

Any DC Voltage range can be specified in the range of: 0.5 to 12Vdc

Typical Output: 0-10Vdc @ 12A.

#### SUPPLY

Supply options: 115Vac or 230Vac (+/-20%)

#### INDICATOR

Power ON: NEON, Amber.

#### CONTROLS

Zero: 15 Turn potentiometer for 0% calibration  
Span: 15 Turn potentiometer for 100% calibration

#### PERFORMANCE

Temp co-efficient: 200ppm  
Linearity: <math>\pm 0.2\%</math>  
Freq band width: Typically <math>< 3\text{kHz}</math>  
Accuracy: <math>\pm 0.2\%</math>  
Supply regulation:  $\pm 10\%$   
Max Supply consumption: 155Watts

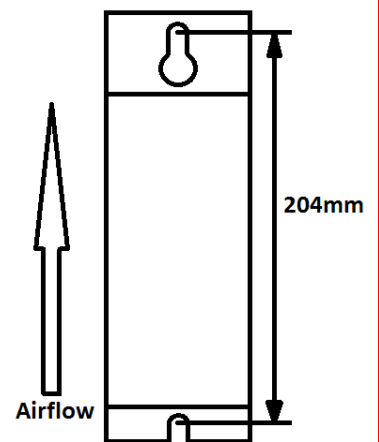
#### ENVIRONMENTAL CONDITION

Storage temperature: -40 to +70 °C  
Operating Ambient: -5 to +40 °C  
Relative Humidity: 5 to 95% RH (Non-Condensing)  
EMC: 2014/30/EU, EN 61326-1:2013 (Controlled EM)

#### TERMINATION

Input +Ve DC	1
Input -Ve DC	2
Scn	3
	4
	5
	6
Output +Ve DC	7
Output -Ve DC	8
Scn	9
Earth	10
Supply Line	11
Supply Neutral	12

#### FRONT VIEW



#### MOUNTING / DIMENSION

Enclosure: 60w x 217h x 197d mm  
Mounting: Surface Mount / rear Keyhole plate  
Weight: 1.7Kg

When mounting ensure the top and bottom vents are clear to allow for sufficient airflow.