

ASC451CT Split Core Current Transformer

- Split core CT for easy Installation
- Non intrusive monitoring
- 2 year warranty as standard
- CE compliant
- Low clamped Isolated O/P - Connect directly to PLC
- Mounting - Clip / Din rail / Surface

APPLICATION

- Motor / Heating element current monitoring.
- AC current signal conditioning.

TECHNICAL SPECIFICATION

INPUT

Current can be specified in the range of:
0 - 10A, 0 - 20A, 0 - 50A, 0 - 100A, 0 - 200A.
Other intermediate ranges available on request.
Bandwidth: 30 to 400Hz nominal, other ranges available.

OUTPUT

Current = 2000:1
Typical range 0 - 50A = 0 - 25mA

Voltage = Any range can be specified up to 25Vac.
Typical range 0 - 10A = 0-0.333Vac

Linearity: < $\pm 0.5\%$
Accuracy: < $\pm 2\%$

Protection

Isolation 2000V RMS. Input / Output / Case
Input over range up to 200% continuous.
Enclosure: ABS (UL 94V-0) / IP20
Secondary Open circuit protection

ENVIRONMENTAL CONDITION

Storage temperature: - 10 to +70 °C
Operating Ambient: -10 to +50 °C
Relative Humidity: 20 to 95% RH
Temp Coefficient: ≤ 200 ppm

MOUNTING

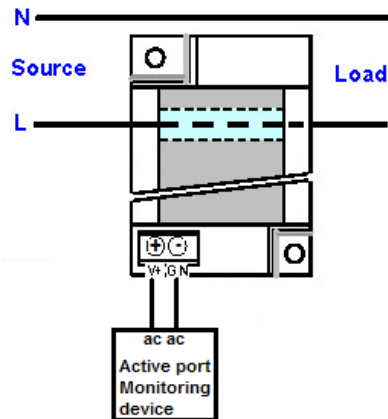
Mounting: Din rail / Surface
Weight < 150g
Installation: CAT II

ORDERING CODE EXAMPLE

ASC451CT-010/0.333V
E.g. 10Aac input for 0.333Vac output

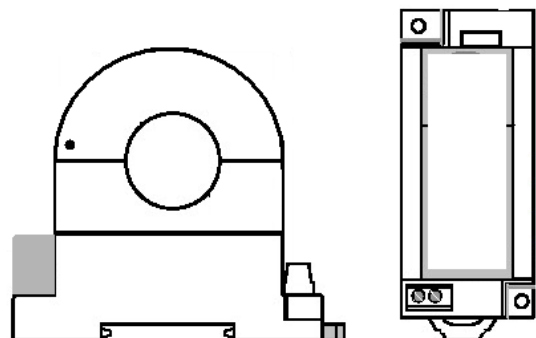


WIRING



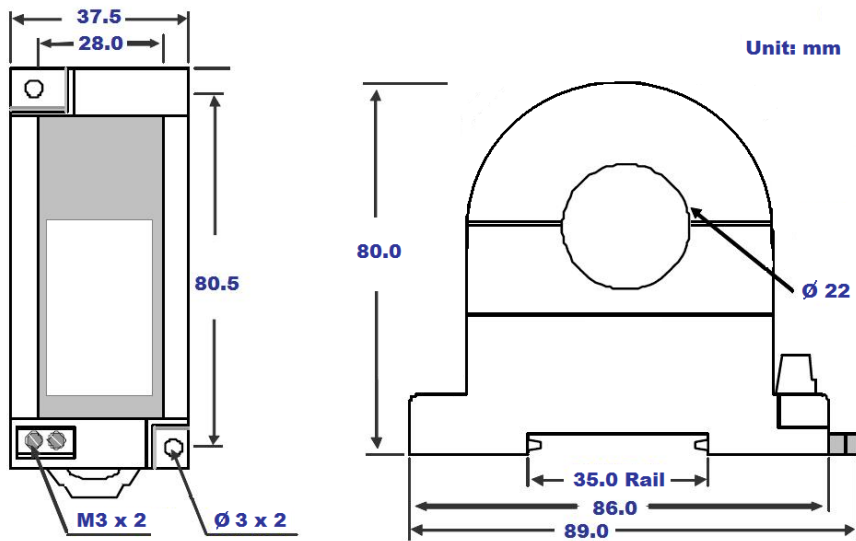
Wiring terminal:
5A/300Vac, M2.0, 0.5~1.3mm² (22~16AWG)

GA



ASC451CT - Split Core Current Transformer

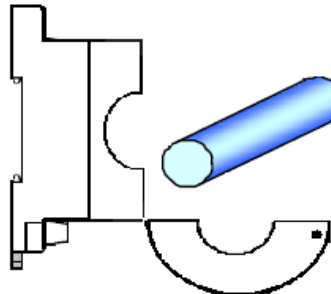
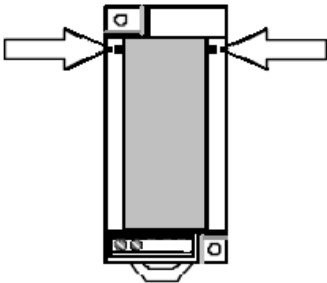
DIMENSION



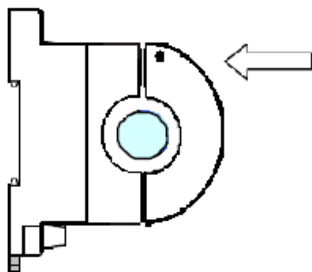
INSTALLATION

To avoid damage to the case, input cable should be formed to shape and supported. Use surface mount option instead of din rail for more secure fixing.

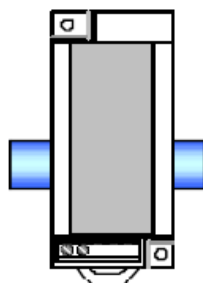
1. Push the two side buttons simultaneously to release.
2. Place the cable.



3. Push to lock.



4. Finish



SAFETY NOTE:

Although the voltage(s) directly connected to this instrument and its internal voltages are low. The cable running through the split core may carry dangerous high voltage. For this reason, this product should be installed by a competent person. If the unit fails to operate correctly than first check if the wiring is correct. Under no circumstance the unit to be taken apart to gain access to internal circuitry for any reason whilst it has live cable through the split core.