

## ASM230 Process Signal Transmitter / Isolator

- Suitable for SIL 1, SIL 2 & SIL 3 rated (EN 61508-2) Safety Instrumented (SIS) System Loop applications
- Non-Smart / Non-uProcessor based, Type A instrument
- Supply Voltage options: **24Vdc**  $\pm 10\%$  or **48Vdc**  $\pm 10\%$  as std (**12Vdc**  $\pm 10\%$  or **9-18Vdc** options also available)
- Amelec standard 10 year warranty



### TECHNICAL SPECIFICATION

#### Input

Any DC voltage or current process signals, which can be routed into a pi network to develop a 400mV span.

Current from 1mA span, up to 100mA max input (passive port)  
 Voltage from 0.4V span, up to 150Vdc max (impedance  $\geq 1M\Omega$ )  
 Typical Input: 4-20mA (impedance 20 $\Omega$ ) or 0-10Vdc (impedance 1M $\Omega$ )

#### Output

The current source can be up to 20mA with a drive voltage of 20V.  
 The voltage source can be up to 10Vdc, maximum drive 20mA.

The current output can be configured as a sink or source port by way of connection to the output terminals.  
 (Sink port: max 30Vdc external loop supply)

Typical Output: 4-20mA (max load 1200 $\Omega$ ) or 0-10Vdc (min load 500 $\Omega$ )

#### Performance

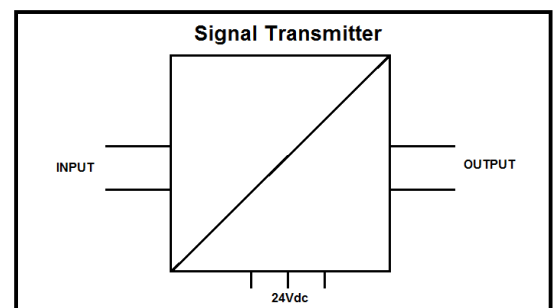
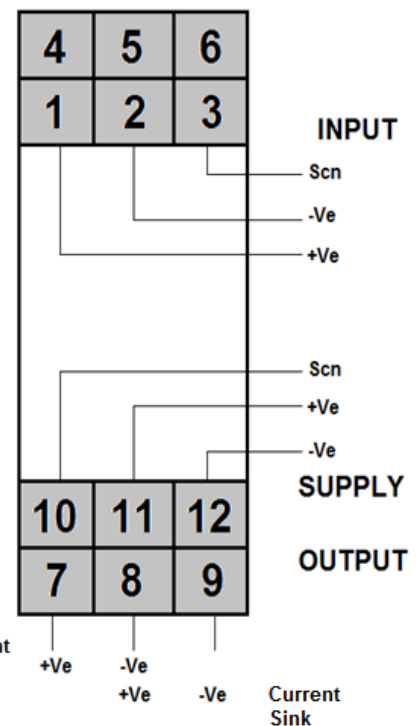
Isolation: 1000V RMS Input/Output/Supply  
 Accuracy/Linearity:  $< \pm 0.1\%$  Span  
 Response time:  $< 100\text{ms}$   
 Input Over range:  $\leq 300\%$   
 Input O/C response: Downscale drive as standard  
 (Input Open Circuit response Upscale drive option available)  
 Controls: Zero/Span potentiometers ( $\pm 20\%$  span adjustment)  
 Indicator: Power ON (Amber LED)  
 DC Supply variation:  $\pm 10\%$   
 Supply consumption:  $< 3\text{VA}$

#### Environmental Conditions

Storage Temperature: -40 to 70 $^{\circ}\text{C}$   
 Operating Ambient: -15 to 55 $^{\circ}\text{C}$   
 Relative Humidity: 5 – 95% RH (Non-condensing)  
 EMC: 2014/30/EU , EN 61326-1:2013 (controlled EM)

#### Dimensions

22.5w x 75h x 110d mm



Tel: 01908-567003 Email: [sales@amelec-uk.com](mailto:sales@amelec-uk.com) Visit: [www.amelec-uk.com](http://www.amelec-uk.com) Fax: 01908-566735

**AMELEC Instruments, Cochran Close, Crownhill, Milton Keynes, MK8 0AJ**