

ASC330 Series DC Current Transducer

- Non Intrusive monitoring
- 2 year warranty as standard
- CE compliant
- Connect directly to PLC
- Single or Bidirectional sensing

APPLICATION

- Motor / Heating element current monitoring.
- Current signal conditioning.

TECHNICAL SPECIFICATION

INPUT

Current can be specified in the range of:
 0 - $\pm 100\text{mA}$, 0 - $\pm 200\text{mA}$, 0 - $\pm 400\text{mA}$,
 0 - $\pm 600\text{mA}$, 0 - $\pm 1000\text{mA}$.

Other intermediate range available as standard

OUTPUT

Default 4 – 20mA also available 12 to $\pm 8\text{mA}$
 Output Load: 500R ohms max
 Loop / Supply voltage 24Vdc $\pm 20\%$
 Linearity: $< \pm 0.5\%$
 Accuracy: $< \pm 1\%$
 Consumption: 25mA + I out
 Freq Bandwidth: 20Hz (50mS)

CONTROLS

15 turn potentiometers for output calibration.

Zero: $\pm 5\%$
 Span: $\pm 5\%$

Protection

Isolation 3000V RMS. Input / Output / Case
 Input over range up to 300% continuous.
 Enclosure: ABS (UL 94V-0) / Encapsulation

ENVIRONMENTAL CONDITION

Storage temperature: - 25 to +85 °C
 Operating Ambient: -20 to 70 °C
 Relative Humidity: 20 to 95% RH
 Temp Coefficient: $< 0.02\%/^{\circ}\text{C}$

MOUNTING

Mounting: Surface
 Weight < 70g
 Installation: CAT II

ORDERING CODE

SI= Single direction BI = Bi-direction

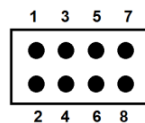
Model / Input range / BI or SI

E.g. ASC330-600-SI



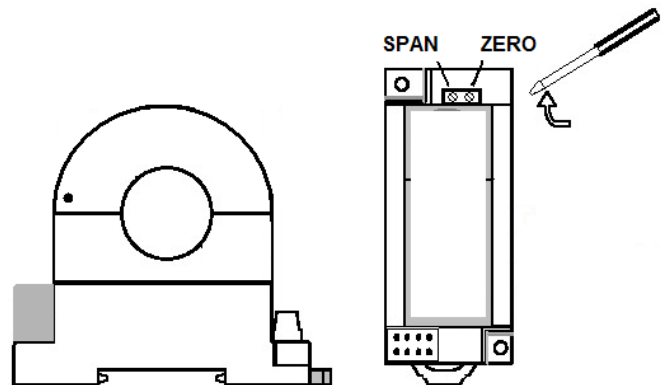
WIRING

8 way Header Connector
 Up to 500V working voltage, Current rating 3A



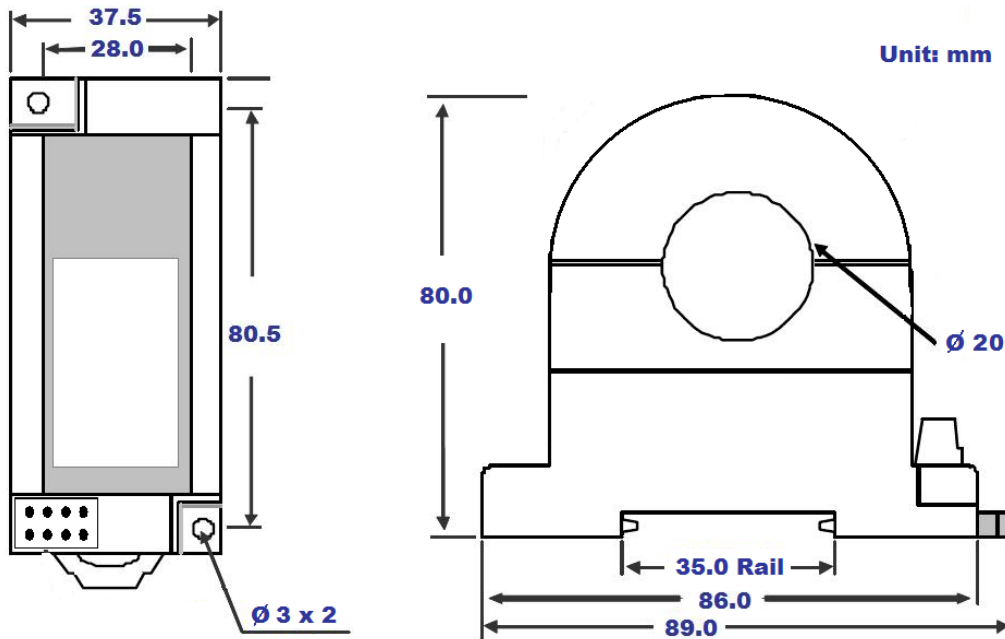
1= + Supply
 2= - Supply
 3= + Output
 4= - Output

CALIBRATION



ASC330 Series DC Current Transducer

DIMENSION

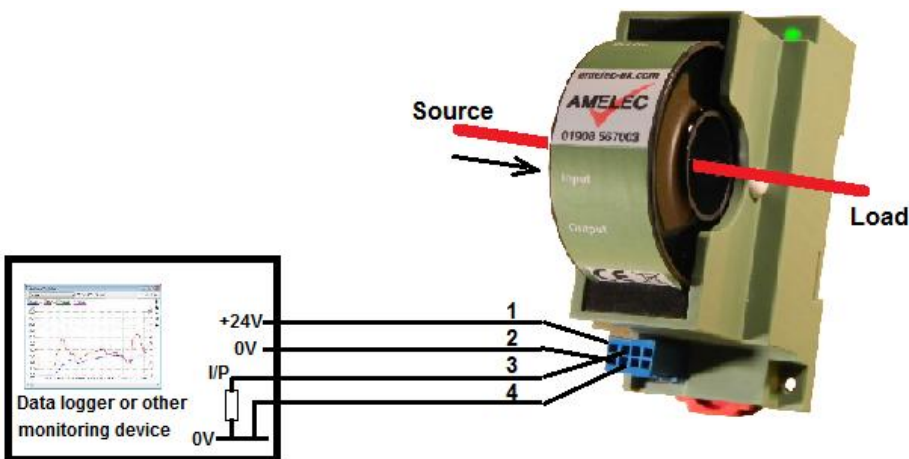
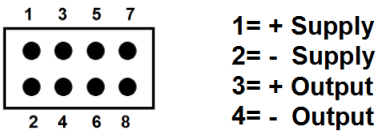


INSTALLATION

To avoid damage to the case, input cable should be formed to shape and supported. Use surface mount option instead of din rail for more secure fixing. Alternatively it can simply hang on secured wires.

WIRING

8 way Header Connector



SAFETY NOTE:

Although the voltage(s) directly connected to this instrument and its internal voltages are low. The cable running through the core may carry dangerous high voltage. For this reason, this product should be installed by a competent person. If the unit fails to operate correctly than first check if the wiring is correct. Under no circumstance the unit to be taken apart to gain access to internal circuitry for any reason whilst it has live cable through the split core.