



APM489-4.5 Digit Process Indicator

- Seismic S2 qualified (Panels tested to withstand 0.25g (25m/s²) at 33Hz)
- Suitable for use in SIL1 & SIL2 rated (IEC61508) safety instrumented system (SIS) loop applications, as 1oo1 architecture (HFT:0)
- Up to 4.5 Digit (20 mm) RED LED high-brightness Display.
- Non-Smart/Non-microprocessor based unit (Analogue/Digital Technology)
- Display can be rescaled using jumpers & Zero/Span trim pots behind bezel.
- Standard 115 / 230Vac supply (24Vdc/48Vdc supply options available)
- 0.01% measurement Accuracy
- High stability & low cost
- 24Vdc Excitation output available as standard on AC supply models ('M' option on DC supply models)
- Grey (RAL7032) Front Bezel option available



Adjustments & Jumper Positions:

Technical Specifications

Input Range	Input Impedance	Input Range	Input Impedance
Voltage 0 -10V	≥ 1M ohm	Current 0(4)~20	250 ohm

Other Input range options available on request. (TC / RTD/ mV / Hz / Special)

Overload: Voltage: 1.2 x rated continuous
1.5 x rated for 10 seconds
Current: 10 x rated for 10 seconds

Calibration: Span adjustment ≤10% of Span
Zero adjustment ≤2% of Span

Decimal Point: Settable to any digit position

Display LED: up to 4.5 digits, 0.8" (20.0mm) Red high-brightness

Display Range: 0000 ~ 19999 as std (Default 00.00 to 100.00%)
(-ve going / bi-polar scale ranges also available)

Measuring Accuracy: ±0.01% full scale - DC V/I input ranges
(<±0.1% full scale other RTD/TC/AC I/Hz optional input ranges)

Input O/C Response: 0000 or -25% Calibrated Display Range (Optional)

Response Time: ≤100 mSec.

Over Range: "0000" flash

Operating Temp: -10 to +60 °C

Relative Humidity: 20 - 95% R.H. (Non-Condensing)

Temp. Coefficient: ≤50 PPM/°C (23 ± 3 °C)
≤100 PPM/°C (0 ~ 50 °C)

Storage Temp: -10 to +70 °C

Power Supply: AC: 115/230V ±10, 50/60 Hz
Option: DC 12V, 24V, 48V ±10%

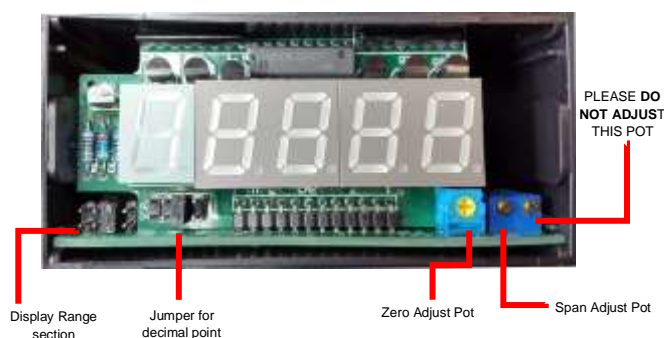
Power Consumption: DC: 3W, AC: 4.5VA

Dielectric Strength: AC 2.0 KV for 1 min. (between Power / Input)

Weight: ≤370g

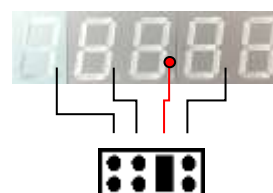
IP Rating: Standard IP50
(IP66 Front Water tight clear Rubber cover available)

Note:
Please ensure panel mounting brackets are fixed securely and safely.
Use Loctite glue to fixing screws in applications subject to continuous vibration.
(IP66 front rubber covers may be considered to act as extra shock absorbers in high vibration applications).

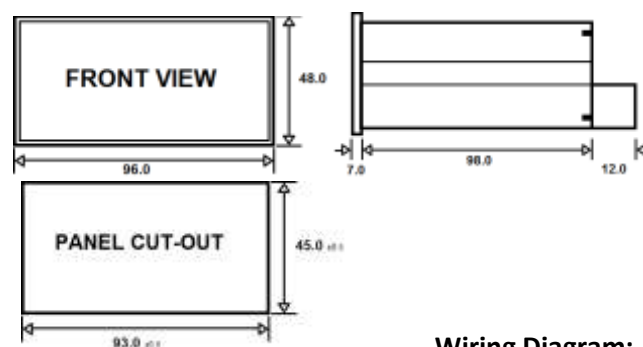


Section	Jumper	Display Range	Section	Jumper	Display Range
1		19999 ~ 17000	5		9000 ~ 6250
2		17250 ~ 13000	6		6250 ~ 4250
3		13000 ~ 9000	7		4250 ~ 3000
4		12000 ~ 8250	8		3000 ~ 2000

Decimal Point Jumper:



Dimensions (mm):



Wiring Diagram:

