

ADW451 A.C. Current Two Wire Transmitter

- Suitable for SIL 1 & SIL 2 rated (EN61508-2) Safety Instrumented System (SIS) loop applications, as 1oo1 architecture (HFT:0)
- RFI Protection to EN 61000-4-3:2006/A2:2010 'K' option available; (RF immunity: 20MHz-3GHz/5.25GHz \leq 10V/m, 80MHz-1GHz/5.6GHz \leq 30V/m, 889MHz/1.75GHz \leq 40V/m).
- Non-Smart / Non-uProcessor based, Type A instrument
- AMELEC Standard 10 year warranty

Description

The ADW451 is an A.C. current two wire transmitter. As the input signal varies from 0 to 100%, the supply current is modulated from 4 to 20mA.

Technical Specifications

Input

Standard 0 to 1 Amp **OR** 0 to 5 Amps

Supply / Output

Nominal 24Vdc (Can vary from 12V to 36Vdc), 4-20mA as std (The maximum line resistance is determined by the supply voltage).

Performance

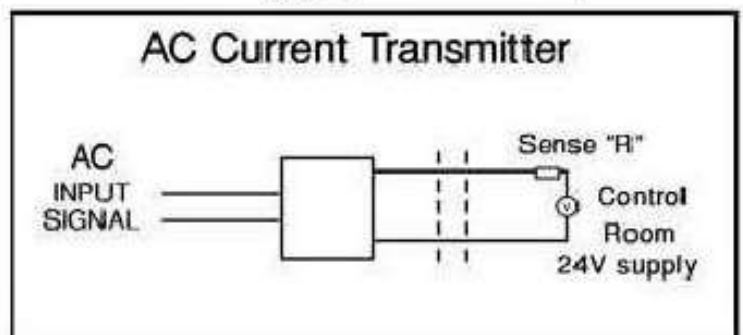
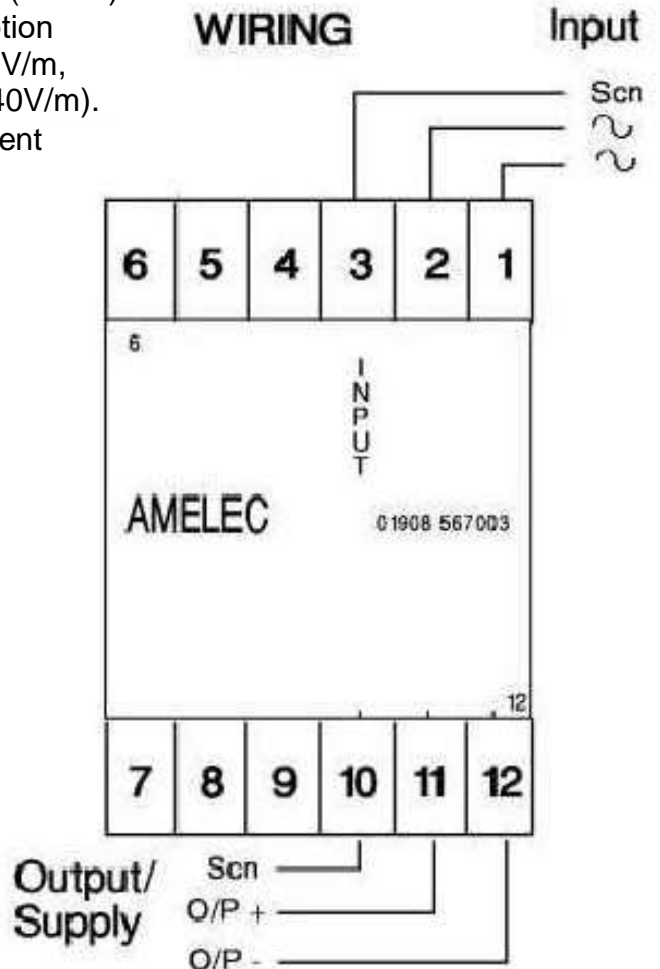
Accuracy / Linearity: $<\pm 0.2\%$
 Supply consumption: $<3VA$
 Input Open Circuit response: Downscale drive as std
 10 – 90% Time Constant $<400mS$

Isolation

1000V RMS* Input/Output/Earth
 *(500Vdc if 'K' option specified)

Environmental Conditions

Storage Temperature -40 to +70°C
 Operating Ambient -15 to +55°C
 Relative Humidity 5-95% RH (Non-Condensing)
 EMC: 2014/30/EU, EN 61326-1:2013 (Controlled EM)
 ('K' option: EMC/EMI/RFI protection to the highest Generic Industrial Standards Test levels)



Enclosure Dimensions

50w x 75h x 110d mm (182d mm if 'K' option spec'd)

Mounting

Din Rail (TS35) or Surface (by corner fixing holes)