

ADW231X-3 Process Loop Powered Signal Isolator/ Splitter Transmitter

- Suitable for SIL 1, 2 or 3 applications
- High Accuracy
- Low Volt Drop
- 1000V RMS Isolation
- High Noise Immunity

Description

The ADW230 series units are used in applications where an isolated signal is required on site and the only power is that provided by the existing loop. The ADW231X-3 is a triple channel unit. The ADW231X-3 is a single input triple output unit.

The Isolator is often used when there is a design update, where there is a need to create a new loop which does not interact with the original loop.

Technical Specifications

Input Current	-50 to 50mA
Full Scale Volt Drop	5VDC
Isolation	1000V RMS Input/Output/Output/Output
Linearity	< 0.1%
Load Resistance Error	5ppm/Ω
10-90% time Constant	50ms
Operating Ambient	-15 to 55°C
Humidity	5-95%

Optimum Operating Conditions

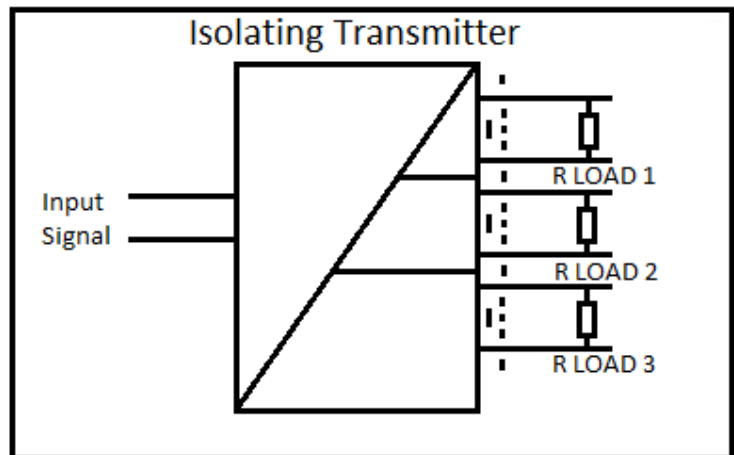
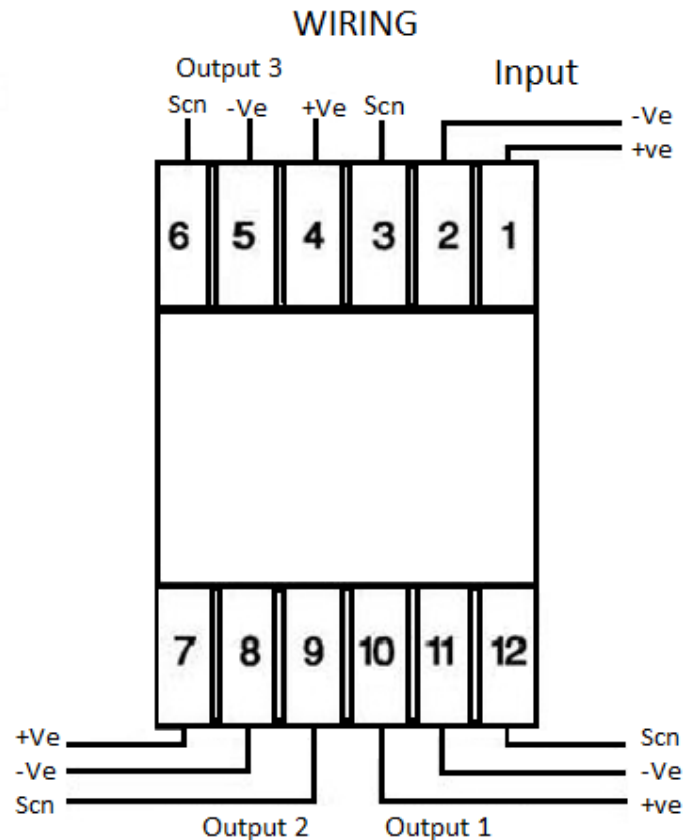
Input Current	0-20mA @ 24V
Output Current	0-20mA
Output Resistance	0-600Ω

Maximum Transient Conditions

Surge Voltage	1.5kV, 50 microS pulse
Surge Transient	10kV/microS
Overload Capacity	±50mA Input Current

Environmental Conditions

Storage Temperature:	-40 to 70°C
Operating Ambient:	-15 to 55°C
Relative Humidity:	5 – 95% RH



Dimensions

50w x 75h x 110h (mm)

Notes

1. The device is protected against reverse polarity.
2. The ADW231X-3 output drive capability is 5V less than the voltage available in the original current loop.