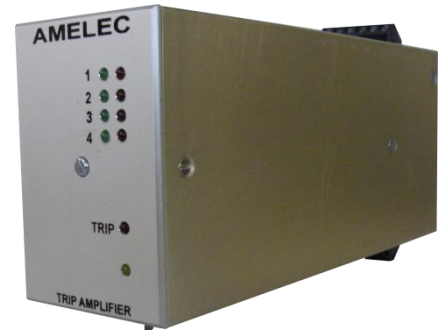


ADT181KXT Pulse Count Trip Amplifier

- Suitable for SIL 1, 2 or 3 rated safety loop applications (IEC61508-2)
- Supply voltages: 24Vdc $\pm 2.5V$
48Vdc $\pm 5V$
- RFI Protection to IEC61000-4-3 (<10V/m)
- AMELEC Standard 10 year warranty



Technical Specifications

Input

Can be specified as:
Voltage pulses from 5V to 50V.
(Volt free contacts option available on request)

Remote override reset facility to stop present count. (Reset contact to be held for approx. 10 seconds)

Outputs

Output is a set of SPCO contacts, rated at 250VAC, 2A, 100VA resistive.
Relay contact to close for approx. 7 seconds once selected pulse count is reached, then auto-resets.

Isolation

500V dc (Inputs+Supply)/Contacts/Earth

Performance

Contact closure made to one of four terminals via Remote Key Switch to select target number of pulses required.

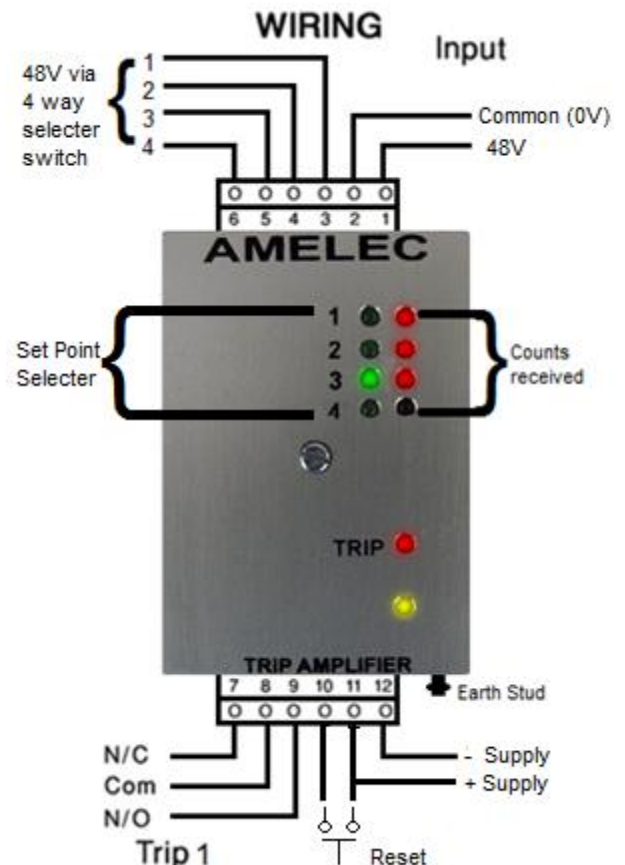
4 x Green LED indicator, ON to show which of the 1 to 4 pulse count is currently selected.
Additional RED LED's indicator alongside Green LED's to show pulses received so far.

Environmental Conditions

Storage Temperature: -40 to 70°C
Operating Ambient: -15 to 55°C
Relative Humidity: 5 – 95% RH

Dimensions

50w x 75h x 182d (mm)



Mounting Options

- Heavy duty Din Rail as standard.
- Surface by Seismic key hole plate available.
- Front Panel mounting available

Tel: 01908-567003 Email: sales@amelec-uk.com Visit: www.amelec-uk.com Fax: 01908-566735

AMELEC Instruments, Cochran Close, Crownhill, Milton Keynes, MK8 0AJ