

ADT152 AC Voltage/Current Dual Trip Amplifier

- Suitable for SIL 1 & SIL 2 rated (EN 61508-2) safety instrumented system (SIS) loop applications, as 1oo1 architecture (HFT:0)
- Supply Voltage options: 20Vac $\pm 20\%$
115Vac $\pm 20\%$
230Vac $\pm 20\%$
24Vdc $\pm 10\%$
48Vdc $\pm 10\%$
- RFI Protection to EN 61000-4-3:2006/A2:2010 available ('K' option)
- Front fascia Digital Display available ('DI' Option)
- Non-Smart/Non-uProcessor based, Type A instrument
- AMELEC Standard 10 year warranty

Technical Specifications

Input

Typically 0-20V up to 300V, 0-1A or 0-5Amp AC ranges
Intermediate ranges available at no extra cost
(Frequency range 10-400Hz std, up to 5KHz available)

Trip Relay Outputs

Each Relay output is a set of single pole changeover contacts (SPCO), rated at 250VAC, 2A, 100VA (resistive), Fail Safe relays; De-energise on Trip or power failure.
Relay status indicators: Red LED, ON when Energised.
Extinguished when De-energised in Trip state.
Deadband: 1% Span hysteresis as standard.
(Variable 1-20% deadband 'V' option available)
(Latching relays 'L' option with Local or Remote Reset available)

Performance

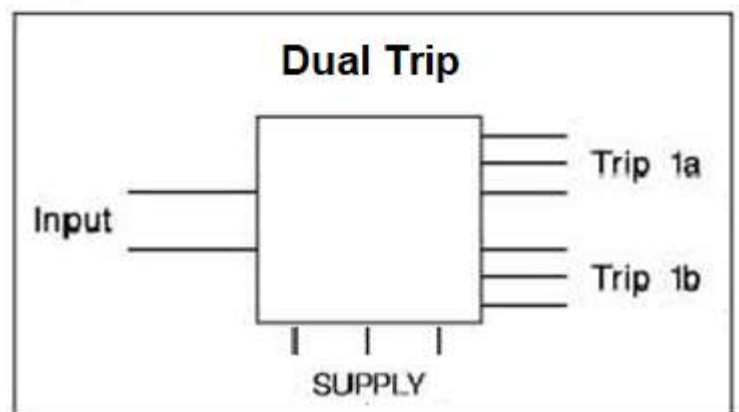
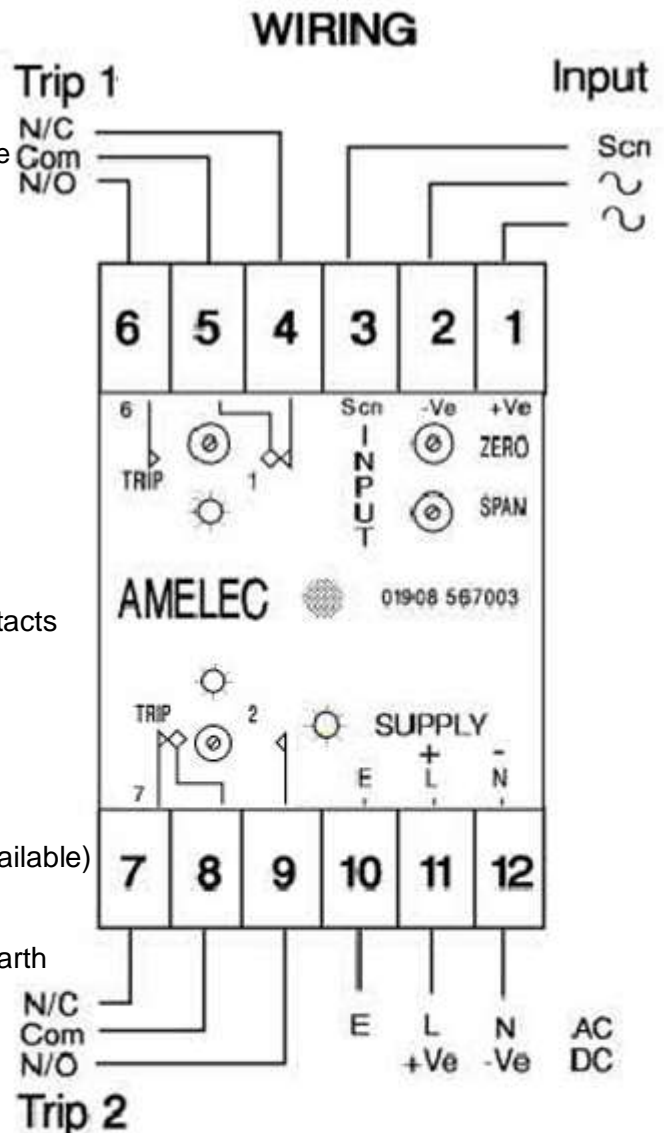
Isolation: 1000V RMS* input/Contacts/Contacts/Supply/Earth
*(500Vdc if RFI option 'K' is specified)
Trip settability: $\pm 1\%$
Trip repeatability: $\pm 0.1\%$
Response time: $< 400\text{mS}$ (0-100% input step change)
Power consumption: $< 3\text{VA}$
Adjustments: 15-Turn blindset potentiometers as std

Environmental Conditions

Storage Temperature: -40 to $+70^\circ\text{C}$
Operating Ambient: -15 to $+55^\circ\text{C}$
Relative Humidity: 5 – 95% RH (Non Condensing)
EMC: 2014/30/EU, EN 61326-1:2013 (Controlled EM)
(*'K' option to the highest Generic Industrial levels)

Mounting / Dimensions

Din Rail (TS35) or Surface by corner fixing holes
Enclosure: 50w x 75h x 110d mm
(*'K' option enclosure = 182d mm)



Tel: 01908-567003 Email: sales@amelec-uk.com Visit: www.amelec-uk.com Fax: 01908-566735

AMELEC Instruments, Cochran Close, Crownhill, Milton Keynes, MK8 0AJ