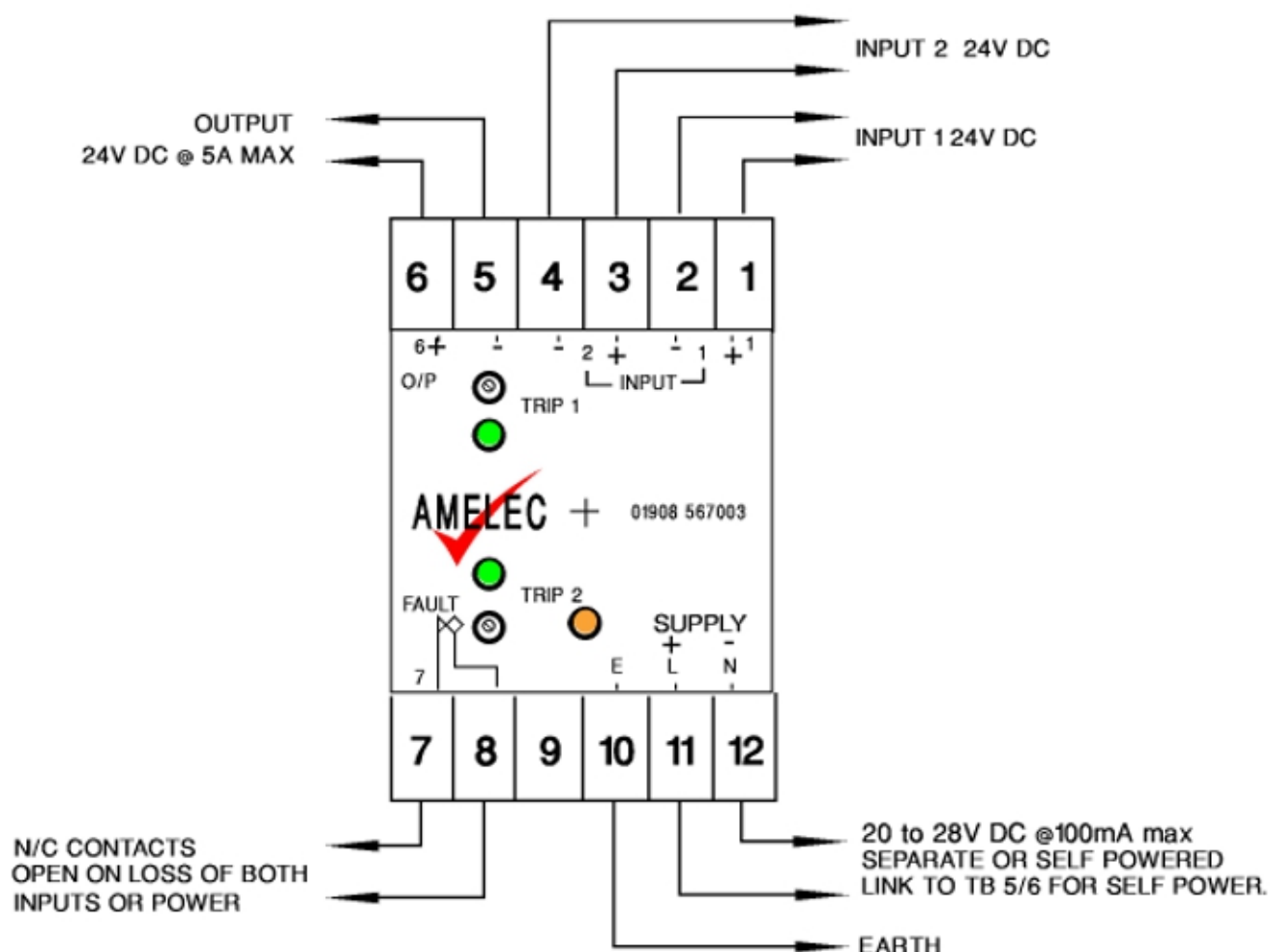


# AMELEC

SIGNAL CONDITIONING

## ADT133X AUTO INPUT SWITCH



TRIP 1 / 2, 15 TURN POTENTIOMETER. RANGE 20 - 25Vdc. Factory set at 21V.

INDICATORS: 2 X GREEN LEDS, INPUT IS HEALTHY WHEN LIT. 1 X AMBER LED TO SHOW POWER STATUS

DIMENSIONS: 50W X 75H X 110D

MOUNTING ; DIN RAIL

FUNCTION: Input 1 is switched to the output as long as it is above the level set by trip 1. If input 1 falls below this level input 1 is switched off and input 2 is switched to the output. When both inputs are below their trip levels then fault contacts are made open.

### Attention !

The above product is based on tried and tested design techniques and meets the requirements of the relevant standards and directives.

The attention of the specifier, purchaser, installer, or the user is drawn to special measures and limitations to use, which must be observed when these products are placed into service to maintain compliance with the relevant applicable standards and directive. It is assumed that a competent person will handle the product that the standard industry practices will be applied. For further details and technical support please contact our technical sales team on telephone number shown below.

Tel: 01908-567003 E-Mail: [sales@amelec-uk.com](mailto:sales@amelec-uk.com) [www.amelec-uk.com](http://www.amelec-uk.com) Fax: 01908-566735  
AMELEC INSTRUMENTS, Cochran Close, Crownhill, Milton Keynes  
MK8 0AJ.