

ADM286 Frequency Trip Transmitter / Isolator

- Suitable for SIL 1, SIL 2 & SIL 3 rated (IEC61508) safety system loop applications
- Supply voltages: 115Vac $\pm 20\%$
240Vac $\pm 20\%$
24Vdc $\pm 2.5V$
48Vdc $\pm 5V$
- RFI Protection to IEC61000-4-3:2006/A2:2010 available ('K' option)
- Digital Display available ('DI' option LCD)
- AMELEC Standard 10 year warranty

Technical Specifications

Input

Any regular pulse or repetitive waveform, including: Namur, Sine, Square or Sawtooth
Frequency ranges up to 12KHz (Min 25Hz span)
Input level may be up to 200V pk-pk

Analogue Output

Any standard process current or voltage
Current source: up to 20mA. Drive voltage 11Vdc
Current sink: up to 20mA. External drive max 30Vdc
Voltage source up to 10Vdc. Max current 20mA

Accuracy/Linearity: $< \pm 0.1\%$ span

Typical Output options

4-20mA (max load 550 Ω), 0-10Vdc (min load 500 Ω)

Relay Output

Each Trip output is a set of SPCO changeover contacts as standard, rated at 250VAC, 2A, 100VA (resistive). N.O or N.C only contacts option available if required.

Latching relay(s) option 'L' available, with either local front fascia pushbutton or remote contact Reset facility

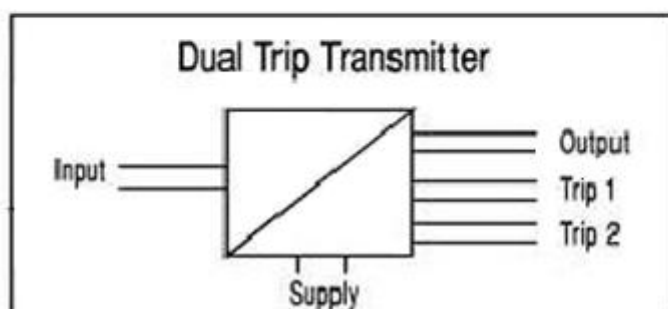
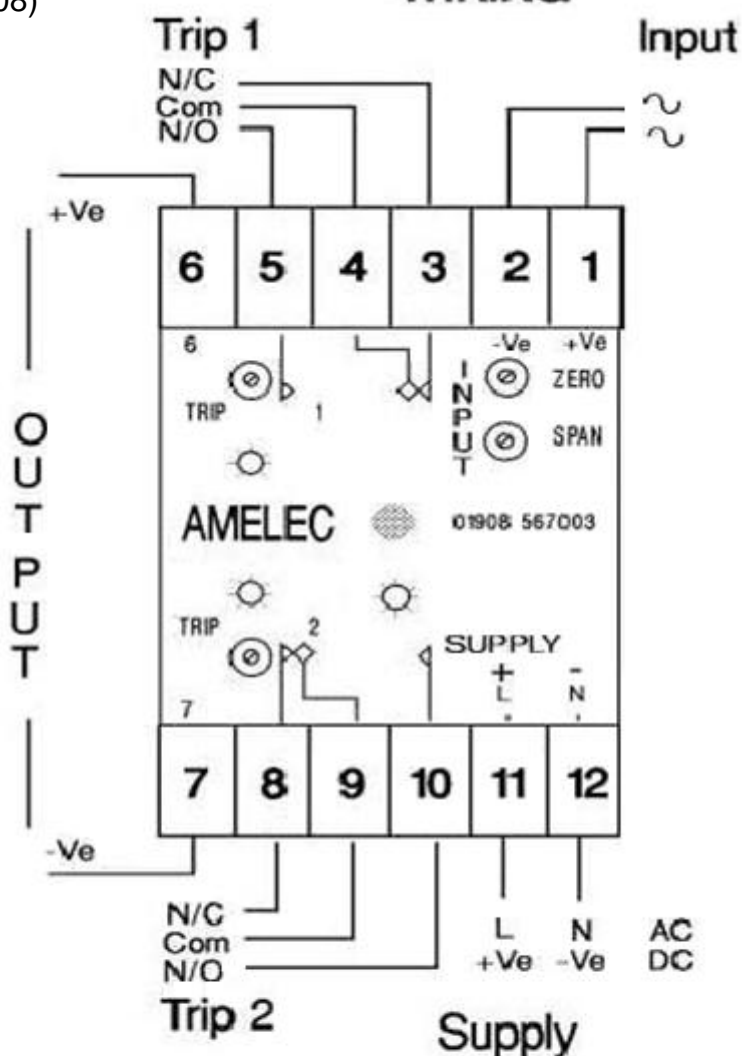
Isolation

1000V RMS* Input/Output/Contacts/Contacts/Supply/Earth
*(500Vdc if RFI protection 'K' option specified)

Environmental Conditions

Storage Temperature: -40 to 70°C
Operating Ambient: -15 to 55°C
Relative Humidity: 5 to 95% RH

WIRING



Mounting/Dimensions

Either Din Rail (TS35) **or** Surface by corner fixing holes as standard.

Enclosure 50w x 75h x 110d (mm)
(‘DI’ option enclosure 50w x 75h x 145d mm)
(‘K’ option enclosure 50w x 75h x 182d mm)

Tel: 01908-567003 Email: sales@amelec-uk.com Visit: www.amelec-uk.com Fax: 01908-566735

AMELEC Instruments, Cochran Close, Crownhill, Milton Keynes, MK8 0AJ