

ADM232MPX Surface Mounting Pressure Trip Transmitter / Isolator

- Suitable for combinations of pressure Input and process I/V Outputs
 Supply voltages: 115Vac ±20%
 240Vac ±20%
 24Vdc ±10%
 48Vdc ±10%
- RFI Protection to IEC61000-4-3:2006/A2:2010 available
- AMELEC Standard 10 year warranty

Technical Specifications

Input

1/4" BSP Parallel thread connection
 Pressure Ranges 0-500mbar to 0-1500 bar.
 Input open circuit downscale as standard

(Input open circuit upscale option available)

Output

Any standard process current or voltage signal,
 Current source up to 20mA. Drive voltage 11Vdc
 Voltage source up to 10V. Max current 20mA

Typical Output options

Current source: 4-20mA, max load 550ohms
 Current sink option available, max 30Vdc External

Voltage: 1-5Vdc, min load 250ohms

Voltage: 0-10Vdc, min load 500ohms

Trip Relay output

High or Low pressure Trip to be advised on orders,
 Trip Set Point is adjustable over the full input pressure range by a fifteen-turn blindset potentiometer, providing a set of changeover contacts rated at 250Vac, 2A, 100VA (resistive). Red LED relay Status indicator ON Energised/ Extinguished in Tripped state

Performance:

Isolation: 500Vdc Input/Output/Supply/Earth

Linearity/Accuracy: <±0.25%

Over pressure limit: twice the rated pressure range.

Environmental Conditions

Storage Temperature: -40 to 70°C

Operating Ambient: -15 to 55°C

Relative Humidity: 5 – 95% RH

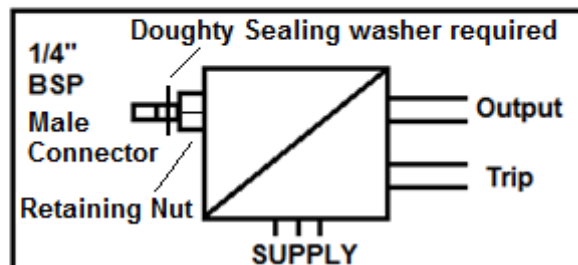
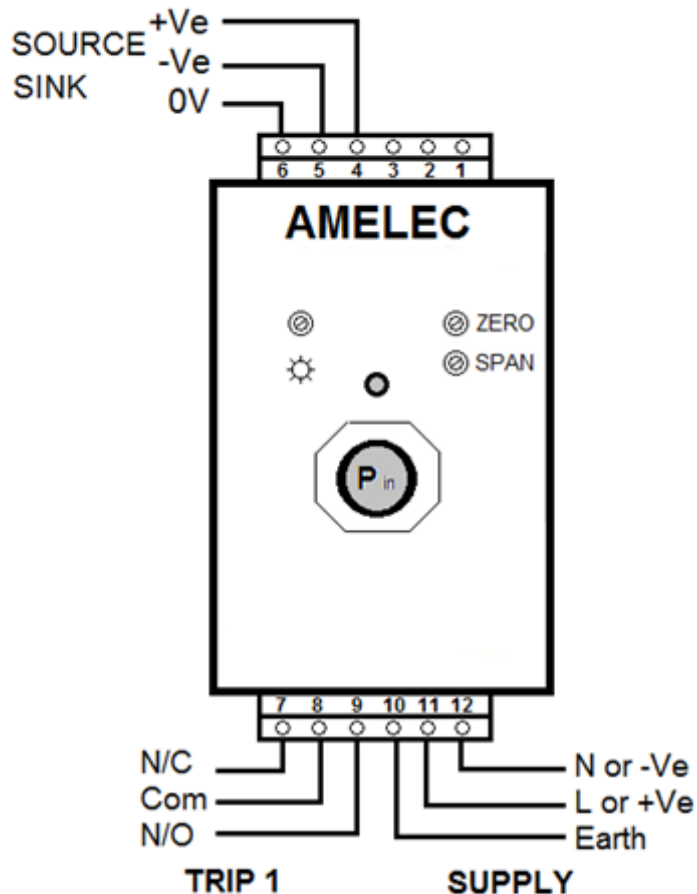
Dimensions

Enclosure: 50w x 75h x 150d mm

Surface mounting plate: 50w x 130h mm

WIRING

Output configured for



N.B: Hex retaining nut must be held tight with spanner when connecting the pressure line (Female Connector).

Tel: 01908-567003 Email: sales@amelec-uk.com Visit: www.amelec-uk.com Fax: 01908-566735

AMELEC Instruments, Cochran Close, Crownhill, Milton Keynes, MK8 0AJ