

## ADM230MPX Surface Mounting Pressure Transmitter / Isolator

- Suitable for combinations of pressure Input and process I/V Outputs
- Supply voltage options: 115Vac  $\pm 20\%$   
240Vac  $\pm 20\%$   
24Vdc  $\pm 10\%$   
48Vdc  $\pm 10\%$
- RFI Protection to IEC61000-4-3:2006/A2:2010 available
- AMELEC Standard 10 year warranty

### Technical Specifications

#### Input

1/4" BSP Parallel thread connection  
Pressure Ranges from 0-500mbar up to 0-1500 bar  
Input open circuit downscale as standard

(Input open circuit upscale option available)

#### Output

Any standard process current or voltage signal,  
Current source up to 20mA. Drive voltage 11Vdc  
Voltage source up to 10V. Max current 20mA

#### Typical Output options

Current source: 4-20mA, max load 550ohms  
Current sink option available, max 30Vdc External

Voltage: 1-5Vdc, min load 250ohms  
Voltage: 0-10Vdc, min load 500ohms

Additional Trip Relay output option with adjustable set point is available, providing a set of changeover contacts rated at 250Vac, 2A, 100VA (resistive)

#### Performance:

Isolation: 500Vdc Input/Output/Supply/Earth  
Linearity/Accuracy:  $\pm 0.25\%$   
With an over pressure limit of twice the rated pressure range.

#### Environmental Conditions

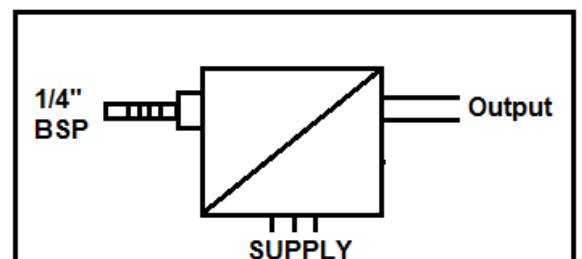
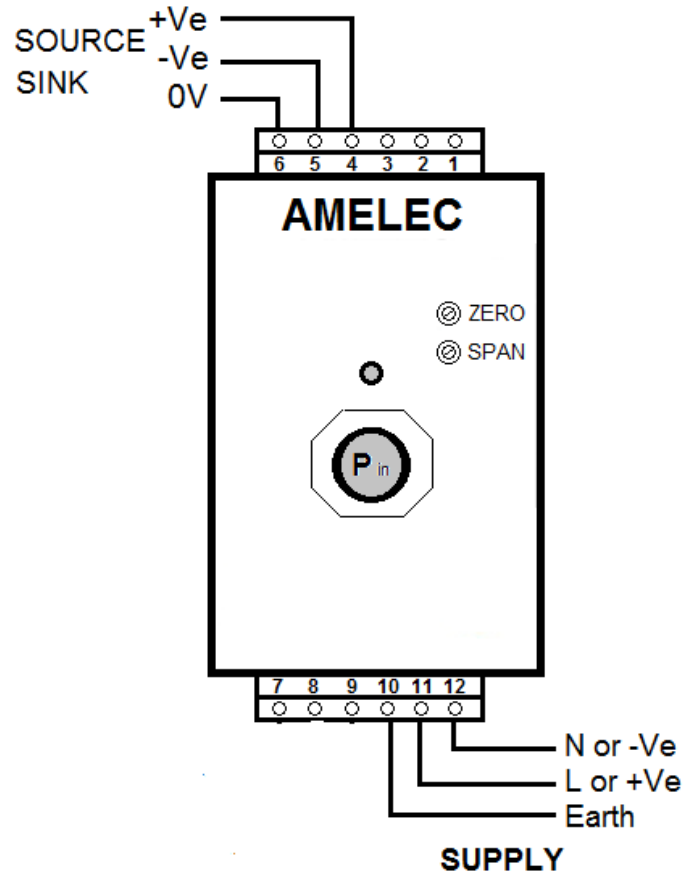
Storage Temperature: -40 to 70°C  
Operating Ambient: -15 to 55°C  
Relative Humidity: 5 – 95% RH

#### Dimensions

Enclosure: 50w x 75h x 150d mm  
Surface mounting plate: 50w x 130h mm

### WIRING

Output configured for



**N.B:** Hex retaining nut must be held tight with spanner when connecting the pressure line (Female Connector).