

ADM230KW Auto Manual Station

- Suitable for SIL 1 & SIL 2 rated (EN 61508) safety instrumented system (SIS) loop applications, as 1oo1 architecture (HFT:0)
- Supply voltage options:
 - 115Vac ±20%
 - 240Vac ±20%
 - 24Vdc ±10%
 - 48Vdc ±10%
- RFI Protection to EN61000-4-3:2006/A2:2010 available ('K' option)
- Non-Smart / Non-uProcessor based, type A instrument
- AMELEC Standard 10 year warranty

Technical Specifications

The unit has a front panel Toggle switch for auto / manual switchover. A 15-turn blindset potentiometer through front fascia is used to set the output current.

Input

Normally configured to accept a 4-20mA signal, but any std process current or voltage (DC) range may be specified. Factory configured to accept any signal that can develop a 400mV span.

Typical Input range

Current: 4-20mA (impedance 20Ω), 0-10mA (impedance 40Ω)
 Voltage: 0-1Vdc, 0-5Vdc, 1-5Vdc, 0-10Vdc (impedance 1MΩ)

Output

Normally configured for a 4-20mA output, but any std current or voltage range may be specified:
 Current source up to 20mA. Drive voltage 24Vdc
 Voltage source up to 10V. Max current 20mA

Typical Output range

Current: 4-20mA (into 1200Ω max), 0-10mA (into 2400Ω max)
 Voltage: 0-5Vdc (min load 250Ω), 0-10Vdc (min load 500Ω)

Isolation

1000V RMS*Input/Output/Supply/Earth.
 *(500Vdc when 'K' option is specified)

Accuracy/Linearity: <±0.1% span

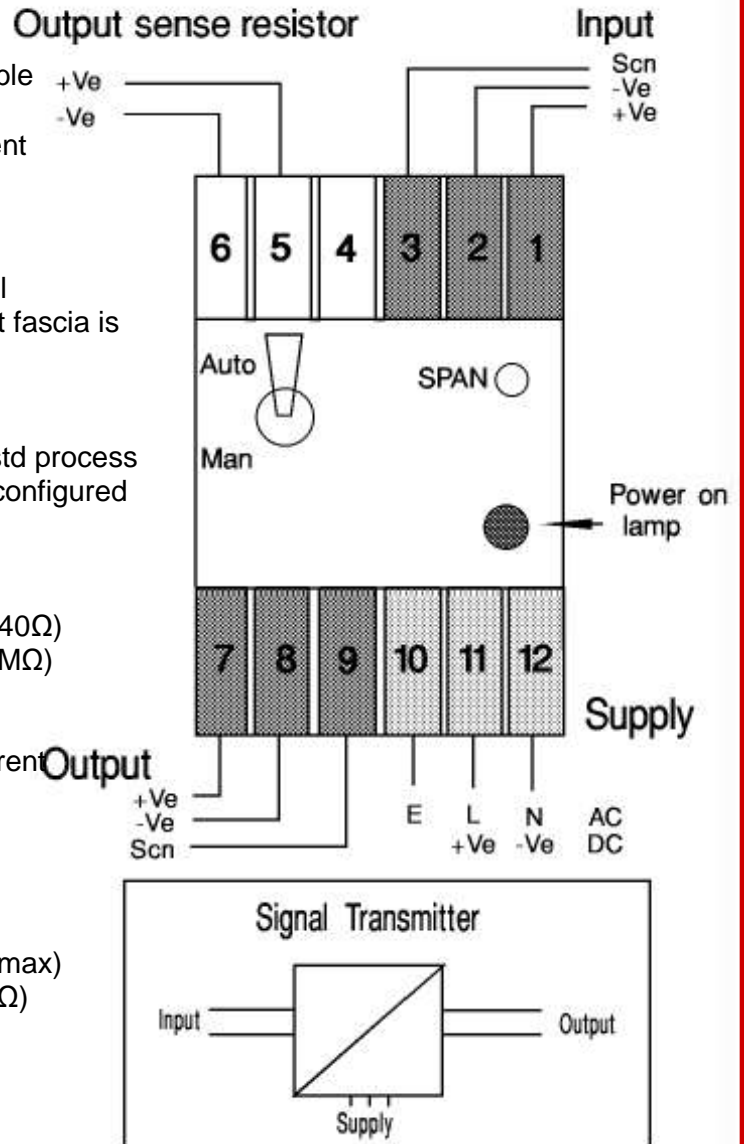
Environmental Conditions

Storage Temperature: -40 to +70°C
 Operating Ambient: -15 to +55°C
 Relative Humidity: 5 – 95% RH (Non-Condensing)
 EMC: 2014/30/EU , EN 61326-1:2013 (controlled EM)

Operation

The standard unit configured for 4-20mA in and out. The sense resistor on the output side of the unit being 50 ohms, developing 0.2 - 1.0V as either the input or the manual control varies 0 to 100%.

WIRING



Mounting / Dimensions

Either Din Rail (TS35) or Surface by corner fixing holes as std

Dimensions:
 50w x 75h x 110d mm

('K' option = 50w x 75h x 182d mm)

Tel: 01908-567003 Email: sales@amelec-uk.com Visit: www.amelec-uk.com Fax: 01908-566735

AMELEC Instruments, Cochran Close, Crownhill, Milton Keynes, MK8 0AJ