

## ADG230-SINK Process Signal Isolator

- Suitable for use in SIL1, SIL2 and SIL3 rated (IEC61508) Safety Instrumented System (SIS) Loop applications
- Non-Smart / Non-uProcessor based, Type A instrument
- Ultra Compact Design - 10mm along the length of the rail. 69mm depth from the rail
- 6 Year Warranty
- Suitable for TS32 G-Rail and TS35 Top-Hat DIN Rail Mounting

### Technical Specification

#### Input                      Impedance

4-20mA                      50Ω  
1-5V                            500KΩ

#### Output Options                      (Drive)

4-20mA                      Max 30Vdc external

#### Supply

24Vdc ±10% (RED LED Power ON indicator)

### General Specification

Isolation:                                      1000V RMS Input/Output/Supply  
Linearity:                                      <±0.05% of full scale  
Accuracy:                                        <±0.1% of full scale  
Response Time:                                <200mS  
Low Power Consumption:                    0.75Watts  
Weight:    34g

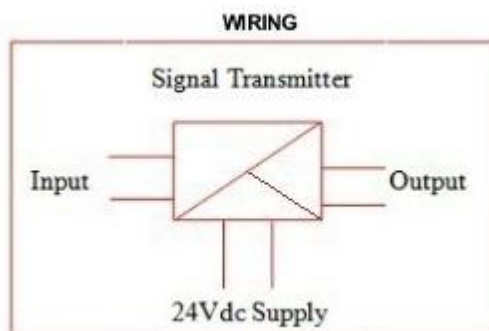
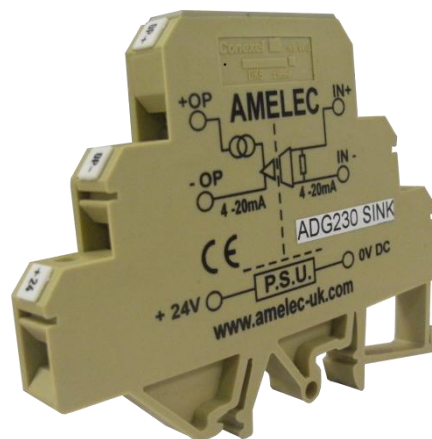
### Environmental Conditions

Operating Ambient:                          -5 to +55°C  
Relative Humidity:                          5 to 95% RH (Non-Condensing)  
EMC: 2014/30/EU , EN 61326-1:2013 (Controlled EM)

### Dimensions

10w x 88.5h x 69d mm

Dummy units available if planning for future expansion



Tel: 01908-567003    Email: [sales@amelec-uk.com](mailto:sales@amelec-uk.com)    Visit: [www.amelec-uk.com](http://www.amelec-uk.com)    Fax: 01908-566735

**AMELEC Instruments, Cochran Close, Crownhill, Milton Keynes, MK8 0AJ**