

## ADC355X-3 Three Way Pulse Repeater / Splitter

- Suitable for SIL 1, 2 & 3 applications
- Supply voltages: 115Vac  $\pm 20\%$   
240Vac  $\pm 20\%$   
24Vdc  $\pm 2.5V$   
48Vdc  $\pm 5V$
- RFI Protection to IEC61000-4-3 available
- AMELEC Standard 10 year warranty

### Technical Specifications

#### Input

Can be specified as:  
Volt free contacts (wetted with 10V @3mA)  
Voltage pulses from 5V to 200V.  
Current from 100uA  
(AC/NPN/PNP/TTL/OPEN COLLECTOR/RELAY)

#### Output

Can be specified as:  
Volt free contacts: 200V / 1A / 20W max  
Freq 1Khz Max.  
PNP: 24V @ 30mA max.  
Freq 10Khz max  
Open collector: 24V @ 20mA max.  
Freq 10Khz max

#### Isolation/Protection

1000V RMS. Input/Output(s)/Supply  
Internal mains fuse

#### Environmental Conditions

Storage Temperature: -40 to 70°C  
Operating Ambient: -15 to 55°C  
Relative Humidity: 5 – 95 RH

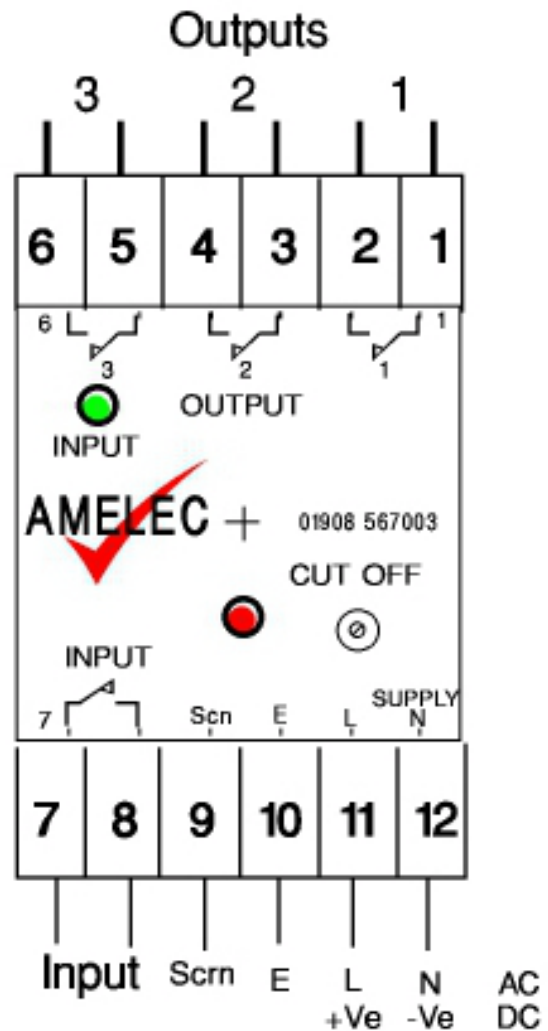
#### Indicators

1 x Green LED: Input pulses  
1 x Yellow LED: Primary Supply

#### Controls

Cut off: 15 turn blind set potentiometer to set input threshold.

### WIRING



### Supply

