

ADC314X-5 Five Input Adder / Averager Unit

- Suitable for SIL 1,2 & 3 (IEC61508) applications
- Suitable for any process input(s)
- Supply voltages: 115Vac $\pm 20\%$
240Vac $\pm 20\%$
24Vdc $\pm 2.5V$
48Vdc $\pm 5V$
- AMELEC Standard 10 year warranty

Isolation

1000V RMS. Input(s)/Output/Supply/Earth
Linearity $< \pm 0.1\%$

Environmental Conditions

Storage Temperature: -40 to 70°C
Operating Ambient: -15 to 55°C
Relative Humidity: 5 – 95% RH

Technical Specifications

Input

Any current or voltage that can be terminated in a PI network to produce a 400mV span. The inputs share a common 0v, however an isolated version is available.

Output

Any standard process current or voltage
Current source up to 20mA.
Drive voltage 24Vdc
Voltage source up to 10V. Max current 20mA

Typical equations

$A+B+C+D+E$; $(A+B+C+D+E) \div 5$; $(A+B+C+D)-E$

Input Load / Output Drive

Typical Inputs

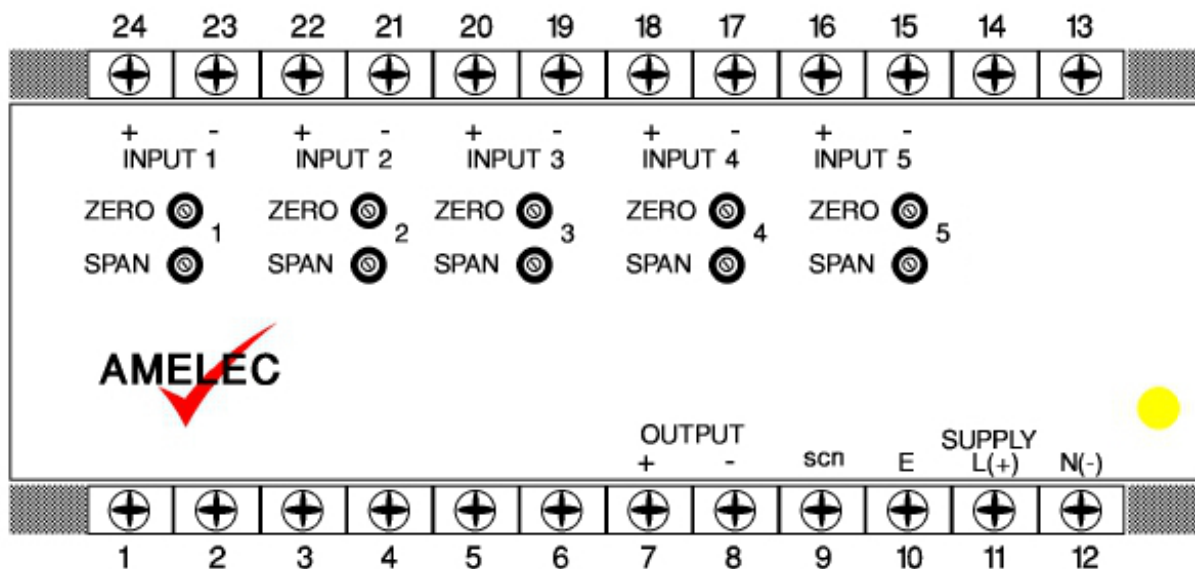
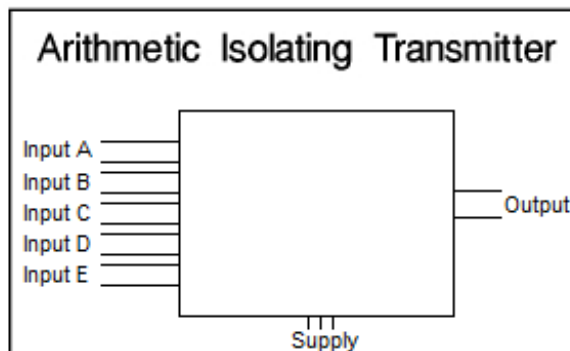
Current 4-20mA 20Ω

Typical Output

Current 4-20mA max load 1200Ω
Voltage 1-5Vdc min load 250Ω

Dimension

152w x 81h x 137d (mm)



Tel: 01908-567003 Email: sales@amelec-uk.com Visit: www.amelec-uk.com Fax: 01908-566735

AMELEC Instruments, Cochran Close, Crownhill, Milton Keynes, MK8 0AJ