

ACT-10 AC Current Sensor with Self-Locking Mechanism

- Split core CT for easy installation
- Non intrusive monitoring
- CE compliant
- 5 Year warranty

APPLICATION

AC current monitoring.

TECHNICAL SPECIFICATION

INPUT

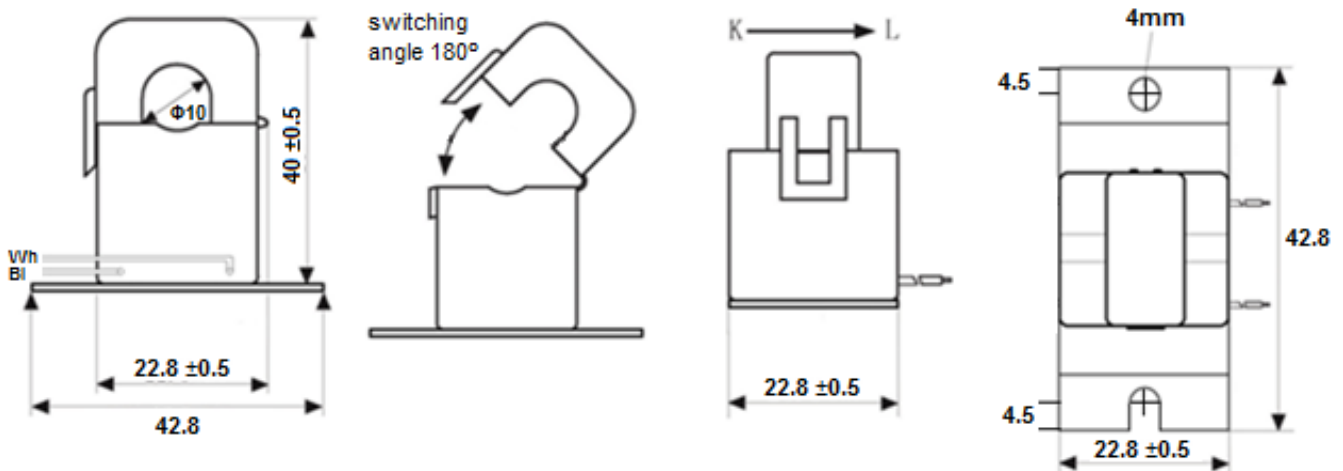
Input: 10A AC

Other ranges can be specified in the range of:
 0 - 5A, 0 - 10A, 0 - 15A, 0 - 20A, 0 - 25A, 0 - 30A, 0 - 40A,
 0 - 50A, 0 - 60A, 0 - 75A.
 Working frequency: 50Hz to 1KHz

OUTPUT

Output: 0.333 Volt AC @ rated current.
 Linearity: $<\pm 1\%$
 Accuracy: $<\pm 1\%$

GENERAL ARRANGEMENT / DIMENSIONS (mm):



PROTECTION

Dielectric Strength: 2500V AC / 1min 5mA
 Input over range up to 200% continuous.
 Enclosure: ABS (UL 94V-0)

ENVIRONMENTAL CONDITION

Storage temperature: -40°C to $+90^{\circ}\text{C}$
 Operating Ambient: -40°C to $+75^{\circ}\text{C}$
 Relative Humidity: 20 to 95% RH

MOUNTING

Mounting: Surface Mount or Clip
 Installation: CAT II

CUSTOMER CONNECTION

1 metre length side integrated cable

