

## APM489-96 Moving Iron Meter

Moving Iron meters are suitable for measurement of true rms AC current or voltage.

Accuracy: Class 1.5 ( $\pm 1.5\%$  max. error)

### Technical Specification

#### Input - Current

0-50 $\mu$ A to 0-100A direct connected  
0-1A or 0-5A CT operated

#### Input - Voltage

0-100V to 0-800V Direct Connected

#### Display

Scales are non linear and calibrated down to 20% of full scale.  
Scaleplates are available in A or V as standard, % or any other ranges available on request;  
Available in shortscale (90° sweep) and longscale (240° sweep)

#### Burden

**Ammeter:** <1VA, **Voltmeter:** <3VA

#### Customer Termination

The customer gains entry at the rear via 2 stud connectors.

#### Panel Fixing Details

The customer panel cut out hole needs to be 92mm square with the enclosure held into the panel by clamp.  
The customers panel must be no more than 9mm thick.

#### Environmental Conditions

Storage Temperature: -40 to 70°C  
Operating Ambient: -15 to 55°C

#### Vibration/Seismic Qualification

min vibration of  $\pm 0.25$  mm amplitude at a frequency of 50Hz, corresponding to an acceleration equal to 2.5 g, in three perpendicular axes for 20 minutes.

#### Dimensions

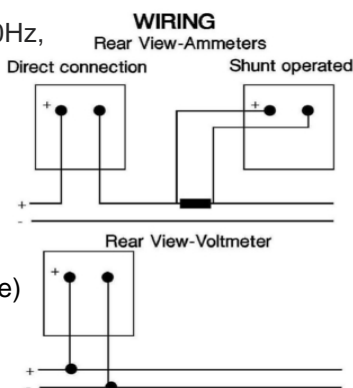
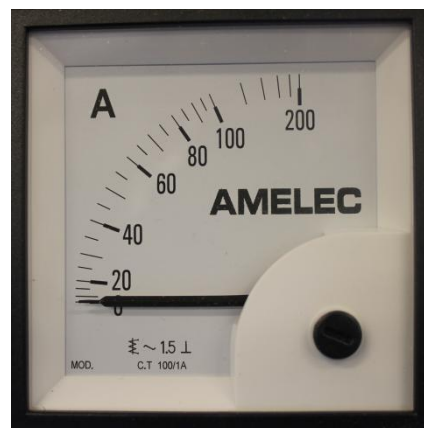
Bezel size: 96 x 96 mm  
Cut-out Size: 92 x 92 mm  
Depth: 64 mm including terminals  
IP rating: IP54 Front of panel (IP65 & 66 options available)

#### Enclosure

Weight: <200g

Flame retardant white ABS plastic case with black bezel.  
Case IP52 (IP65) to IEC529 and BS5490

**Note:** Unit should only be removed from its enclosure from the front



#### Dimensions (mm)

