

AEC230H HART/Process Signal Transmitter

- Suitable for combinations of Process Inputs & Outputs
- True universal AC/DC supply voltage 21V through 265V AC/DC

Technical Specifications

Input

The standard input signal is 4-20mA, other ranges are available on request. Signals are routed into a pi network to develop a 1V span.

Other Inputs

0-10mA, 0-20mA, 1-5mA, 1-5V, 0-10V

Output

The standard output signals are 4-20mA, other ranges are available on request. The current source can be up to 20mA with a drive voltage of 13V. The voltage source can be up to 10V's, maximum drive 20mA.

Other Outputs

0-10mA, 0-20mA, 1-5mA, 0-2V, 0.4-2.0V, 1-5V, 2-10V, 0-10V

The output current is configured as a source port as standard.

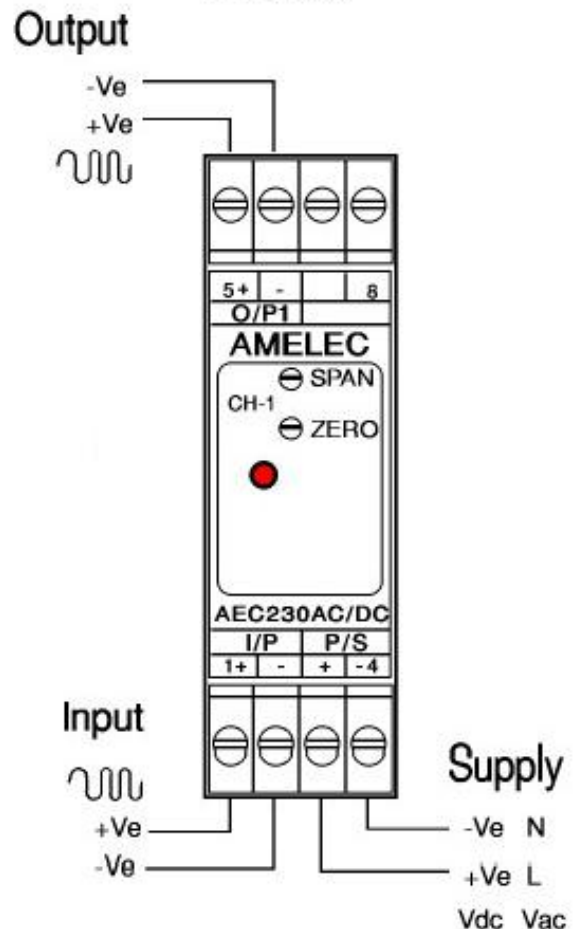
Supply

Typical Burden on 24Vdc supply <1.3W Max
Typical Burden on AC supply range 3W

Isolation

1000V RMS Input/Output/Supply

WIRING

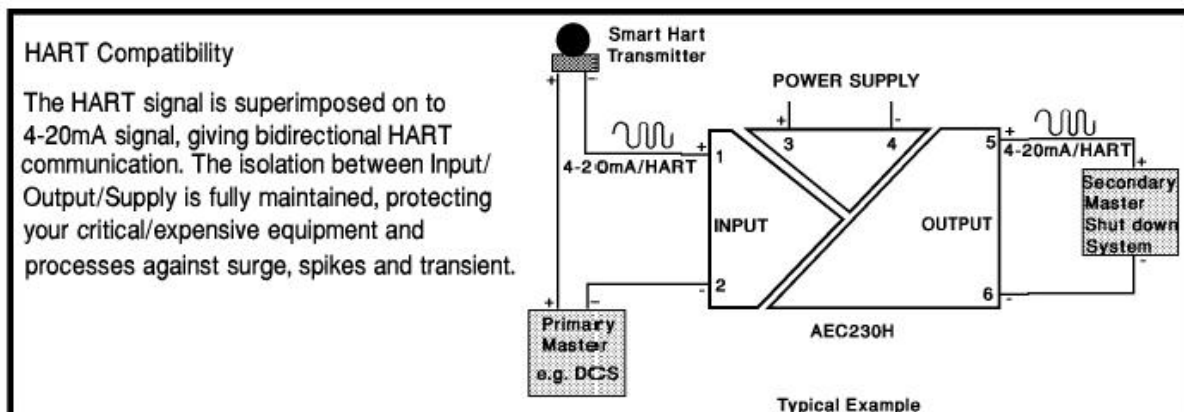


Environmental Conditions

Storage Temperature: -20°C to +70°C
Operating Ambient: 0°C to +55°C
Relative Humidity: 5% to 95% RH

Dimensions

H: 75mm W:22.5mm D:105mm



Tel: 01908-567003 Email: sales@amelec-uk.com Visit: www.amelec-uk.com Fax: 01908-566735

AMELEC Instruments, Cochran Close, Crownhill, Milton Keynes, MK8 0AJ