

AEC132AC/DC Process Trip Amplifier

- Suitable for combinations of Process Inputs & Outputs
- True universal AC/DC supply voltage 21V through 265V AC/DC

Technical Specifications

Input

The standard input signal is 4-20mA, other ranges are available on request. Signals are routed into a pi network to develop a 1V span.

2 x Independent Relay Outputs

Trip gives set of change over contacts, rated at 250V AC 2A, 120V AC 1A (24Vdc 2A). Green LED relay / Trip status indicator. Trip set by 15 turn potentiometer
 Trip set point (SP) to monitor trip setting 4-20mA = 0.2 to 1V reference to input 0V
 Hysteresis set by 15 turn potentiometer (1 to 4%)

Jumper Setting

User friendly DIL switch / Jumper links to change original factory settings.

1. Relay output: N/C or N/O
2. Input O/C fault: Failsafe or non-failsafe
3. Trip on High or Low
4. Relay normally energised or de-energised

Supply

Burden on supply 2W

Isolation

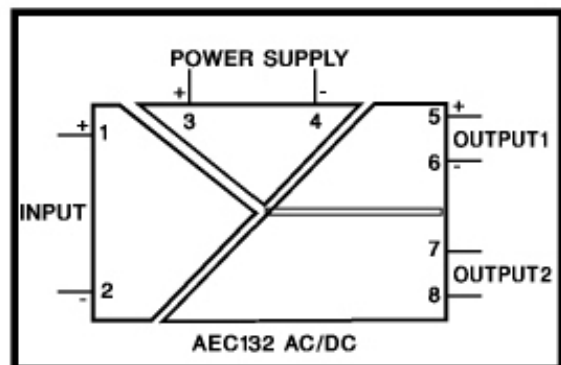
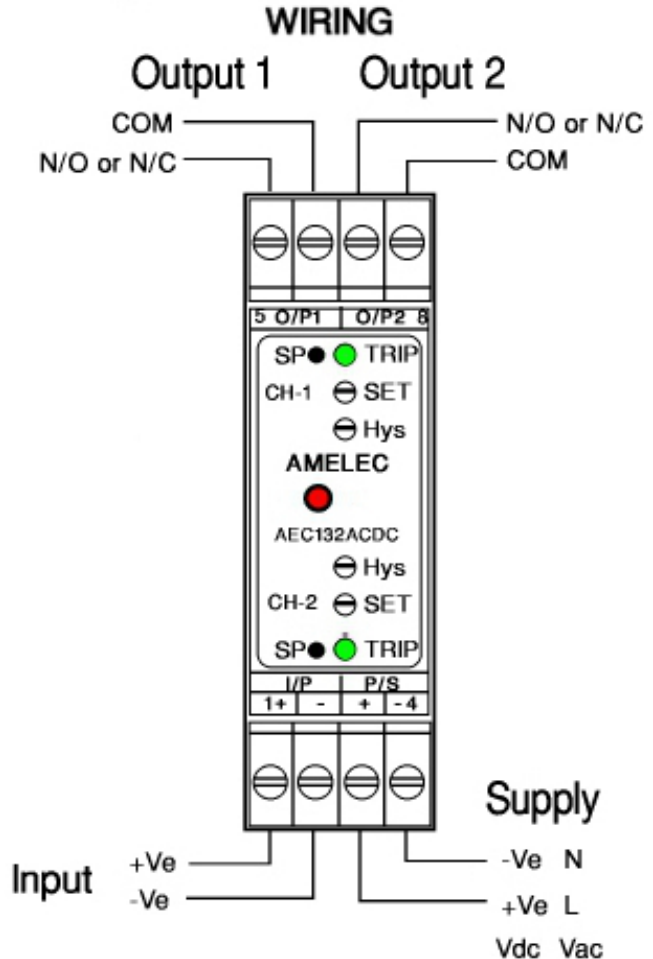
1000Vdc Input/Output1/Output2/Supply

Environmental Conditions

Storage Temperature: -20°C to +70°C
 Operating Ambient: 0°C to +55°C
 Relative Humidity: 5% to 95% RH

Dimensions

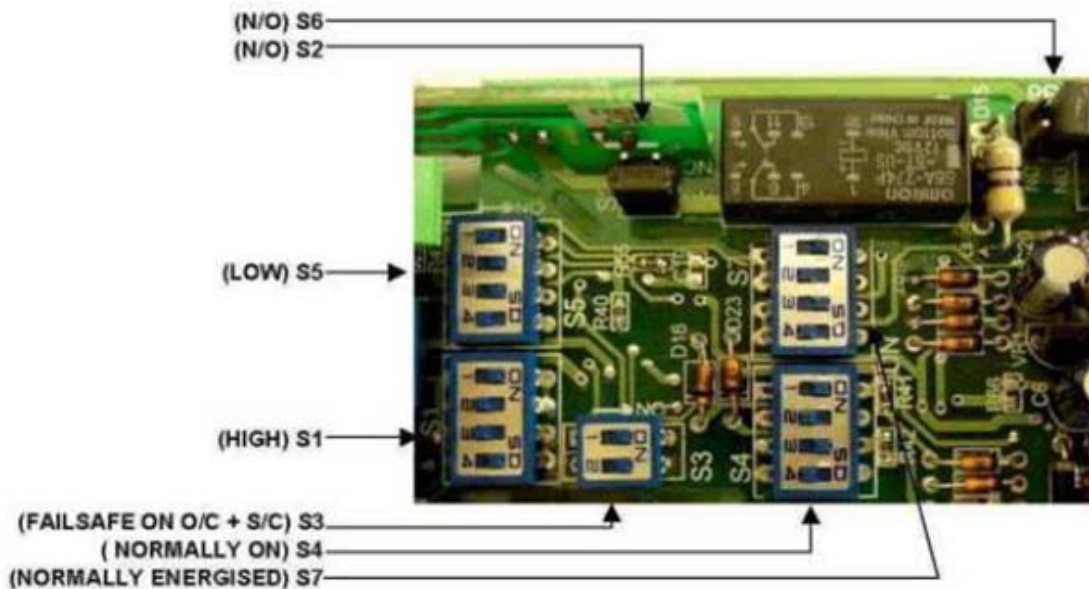
H: 75mm W:22.5mm D:105mm



Tel: 01908-567003 Email: sales@amelec-uk.com Visit: www.amelec-uk.com Fax: 01908-566735

AMELEC Instruments, Cochran Close, Crownhill, Milton Keynes, MK8 0AJ

AEC132AC/DC Process Trip Amplifier



Above picture showing default setting

TRIP 1 / CH-1

Trip mode High or Low	S1	LO	HI
1	OFF	ON	ON
2	ON	OFF	OFF
3	ON	OFF	OFF
4	OFF	ON	ON

Relay contacts Normally open or closed.	S2	NO	NC
		<input type="checkbox"/>	<input type="checkbox"/>
		<input type="checkbox"/>	<input type="checkbox"/>

Input open / short circuit response. Failsafe or non failsafe.	S3	I/P O/C	I/P S/C	I/P O/C +S/C
1	OFF	ON	ON	ON
2	ON	OFF	ON	ON

Led energise on trip or de-energise.	S4	N-ON	N-OFF
1	ON	OFF	OFF
2	OFF	ON	ON

Relay energise on trip or de-energise.	S4	N-ENG	N-DE ENG
3	ON	OFF	OFF
4	OFF	ON	ON

TRIP 2 / CH-2

S5	LO	HI
1	OFF	ON
2	ON	OFF
3	ON	OFF
4	OFF	ON

S6	NO	NC
	<input type="checkbox"/>	<input type="checkbox"/>
	<input type="checkbox"/>	<input type="checkbox"/>

S7	N-ON	N-OFF
1	ON	OFF
2	OFF	ON

S7	N-ENG	N-DE ENG
3	ON	OFF
4	OFF	ON

Tel: 01908-567003 Email: sales@amelec-uk.com Visit: www.amelec-uk.com Fax: 01908-566735

AMELEC Instruments, Cochran Close, Crownhill, Milton Keynes, MK8 0AJ