

AEC132AC/DC Process Trip Amplifier

- ★ Suitable for combinations of process Inputs & Outputs
- ★ True universal AC/DC Supply Voltage 21V through 265V AC/DC

Technical Specifications

Input

The standard input signal is 4-20mA, other ranges are available on request.

Signals are routed into a pi network to develop a 1V span.

2 x Independant Relay Outputs

Trip gives set of change over contacts, rated at 250V AC 2A, 100VA resistive.

Green LED relay / Trip status indicator.

Trip set by 15 turn potentiometer.

Trip set point(SP) to monitor trip setting.

4-20mA = 0.2 to 1V reference to input 0V.

hysteresis set by 15 turn potentiometer (1 to 5%).

Jumper setting

User friendly DIL switch / Jumper links to change original factory settings.

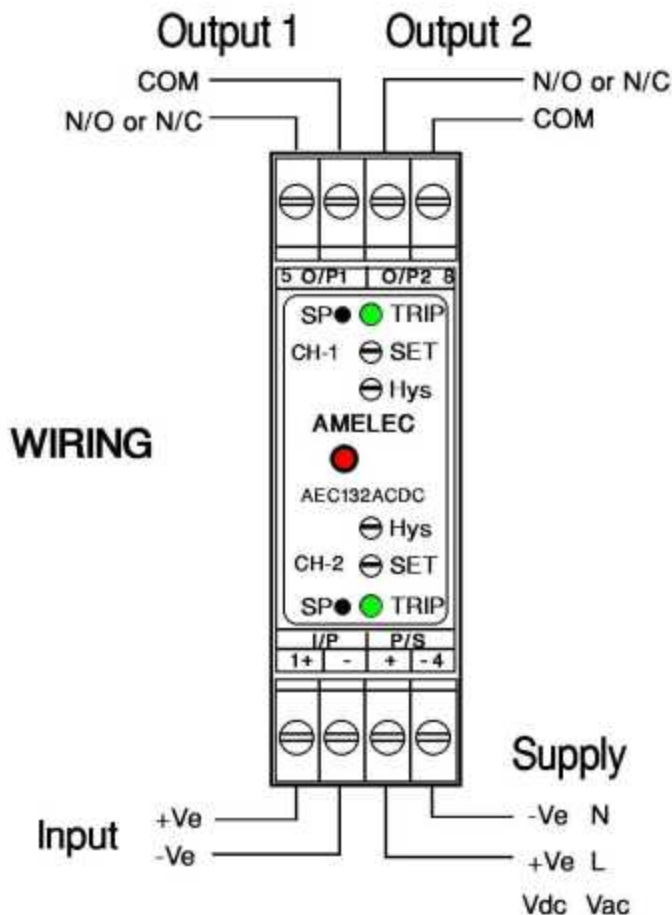
1. Relay output: N/C or N/O
2. Input O/C fault: Failsafe or non failsafe
3. Trip on High or Low.
4. Relay Normally Energised or de-energised

Supply

Burden on supply 2W

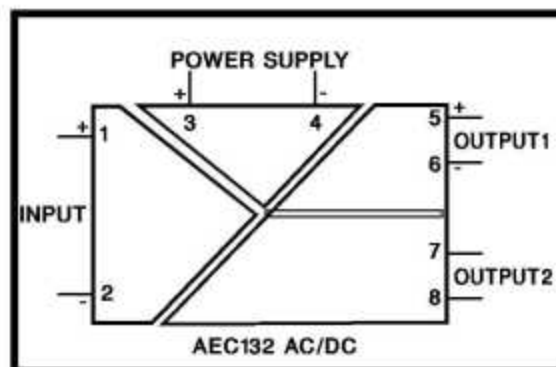
Isolation

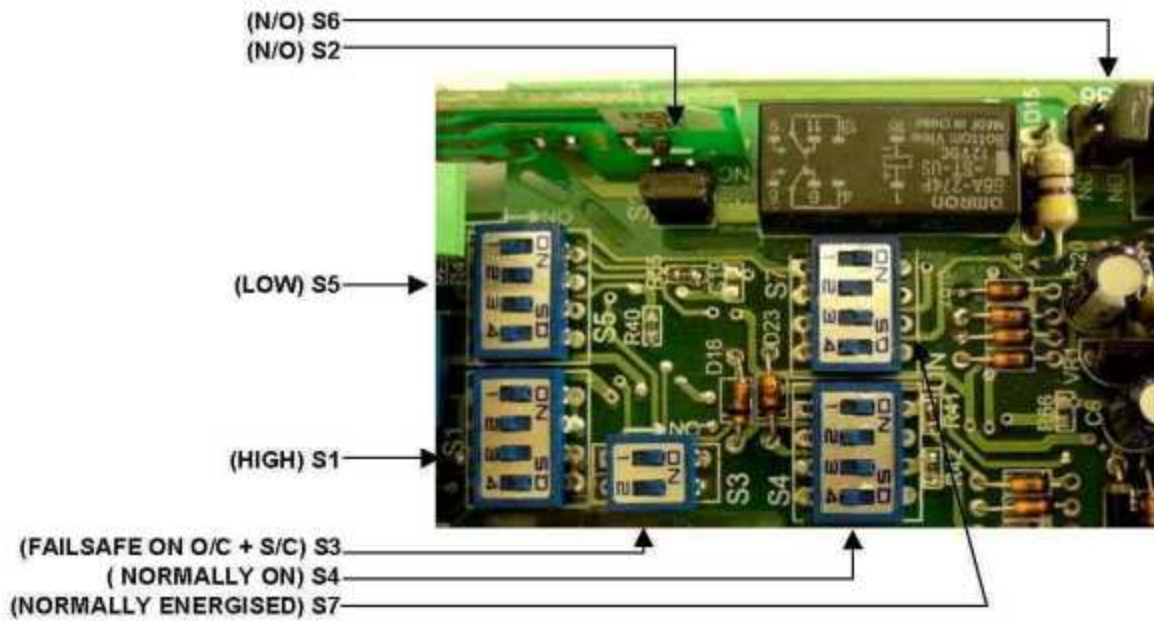
1000Vdc Input/Output1/Output2/Supply



Dimensions

H: 75mm W: 22.5mm D: 105mm





Above picture showing default setting

TRIP 1 / CH-1

Trip mode High or Low	S1	LO	HI
	1	OFF	ON
	2	ON	OFF
	3	ON	OFF
	4	OFF	ON

Relay contacts Normally open or closed.	S2	NO	NC
		<input type="checkbox"/>	<input type="checkbox"/>
		<input type="checkbox"/>	<input type="checkbox"/>

Input open / short circuit response. Failsafe or non failsafe.	S3	I/P O/C	I/P S/C	I/P O/C +S/C	By pass
	1	OFF	ON	ON	OFF
	2	ON	OFF	ON	OFF

Led energise on trip or de-energise.	S4	N-ON	N-OFF
	1	ON	OFF
	2	OFF	ON

Relay energise on trip or de-energise.	S4	N-ENG	N-DE ENG
	3	ON	OFF
	4	OFF	ON

TRIP 2 / CH-2

	S5	LO	HI
	1	OFF	ON
	2	ON	OFF
	3	ON	OFF
	4	OFF	ON

	S6	NO	NC
		<input type="checkbox"/>	<input type="checkbox"/>
		<input type="checkbox"/>	<input type="checkbox"/>

	S7	N-ON	N-OFF
	1	ON	OFF
	2	OFF	ON

	S7	N-ENG	N-DE ENG
	3	ON	OFF
	4	OFF	ON